

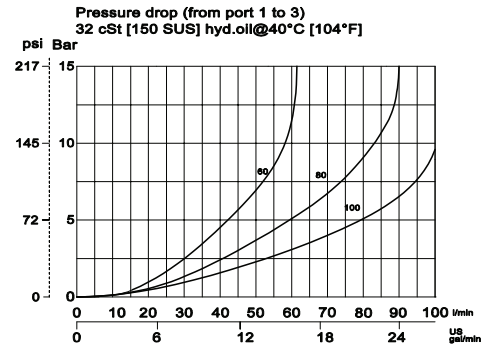
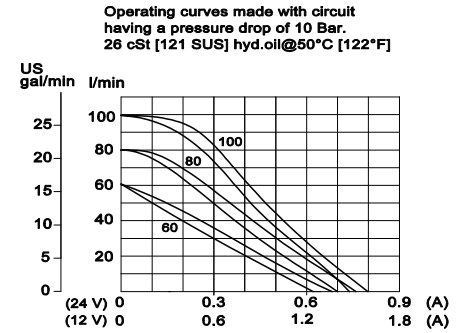
OPERATION

This is a normally-open, direct-acting, spool-type, non-compensated, proportional flow-control. Controlled flow is from port 1 to 2.

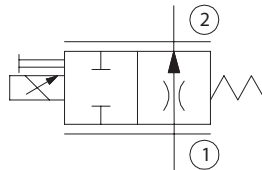
SPECIFICATIONS

Rated pressure	260 bar [3770 psi]
Maximum flow at 10 bar [145 psi]	PSV12-NO-60: 60 l/min [15.85 US gal/min] PSV12-NO-80: 80 l/min [31.13 US gal/min] PSV12-NO-100: 100 l/min [26.41 US gal/min]
Leakage	420 cm ³ /min [25.6 in ³ /min] @ rated pressure
Weight	0.76 kg [1.68 lb]
Hysteresis	5% maximum
Threshold current	0.3 A (12 VDC coil) 0.15 A (24 VDC coil)
Maximum control current	1.8 A (12 VDC coil) 0.9 A (24 VDC coil)
Pressure differential	0 bar [0 psi] maximum
Cavity	SDC12-2
Standard Coil	D14E(35W) 35 Watt

Theoretical performance

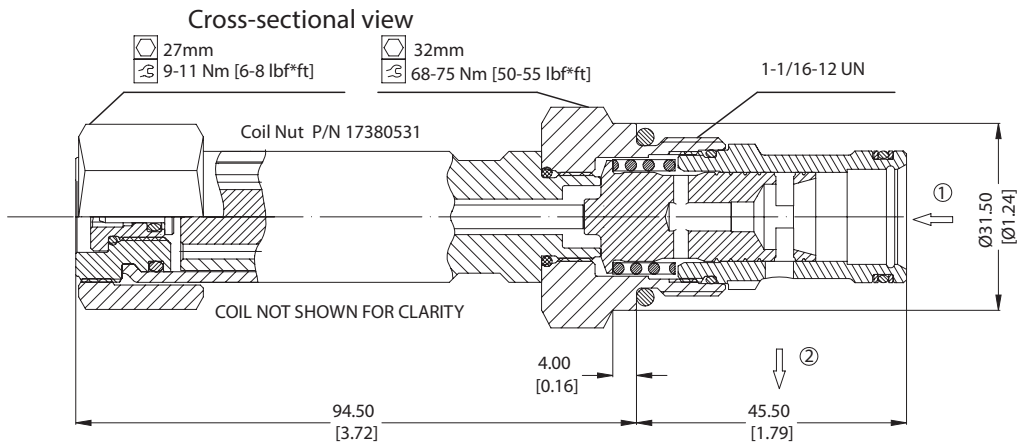


Schematic



DIMENSIONS

mm in



ORDERING INFORMATION

PSV12 - NO - 100 - 12D - DE - SPS - B - 00

Proportional Flow Control Valve, Non-Compensated, Normally Open, 12 Size Cavity

Code	Max regulated flow
60	60 l/m
80	80 l/m
100	100 l/m

Code	Coil Voltage
00	No Coil
12D	12V DC
24D	24 V DC

Code	Coil Termination
00	No Coil
AJ	Amp Junior
DE	Deutsch
DN	DIN 43650

Code	Seal	Seal Kit
B	Buna-N	354008319
V	Viton	354008419

Code*	Manual Override
Omit	Push Pin (Standard)
SPS	Screw Style (Push-Type Valve)

Body & Ports	Body Nomenclature
00 = No housing	No Body
10S = Al, #10 SAE	CP12-2-10S
12S = Al, #12 SAE	CP12-2-12S
DG4B = Al, 1/2 BSP	SDC12-2-DG4B
DG6B = Al, 3/4 BSP	SDC12-2-DG6B
Other housings available	

*PB (Push-Button) available upon request