

PSVP10-NOR

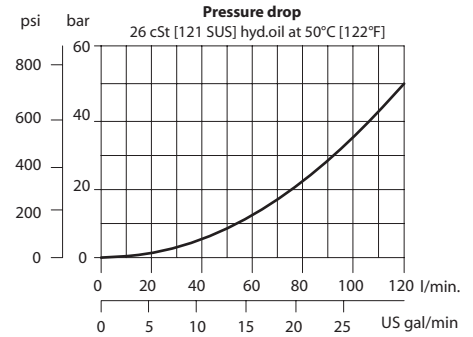
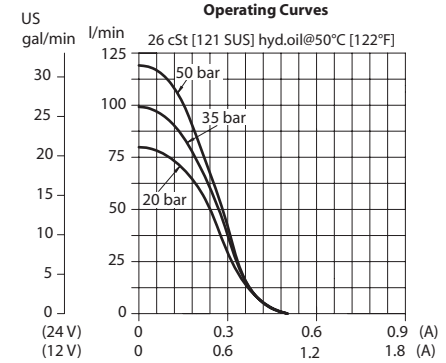
OPERATION

This is a non-compensated, normally-open, pilot-operated, poppet-type, proportional flow-control. Controlled flow is from port 2 to 1.

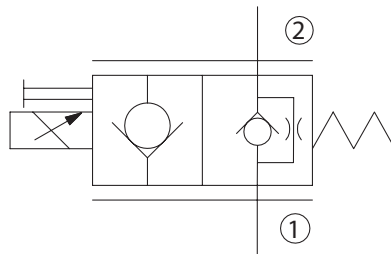
SPECIFICATIONS

Rated pressure	260 bar [3770 psi]
Rated flow at 10 bar [145 psi]	45 l/min [12 US gal/min]
Leakage	6 drops/min @ Rated pressure
Weight	0.54 kg [1.19 lb]
Hysteresis	8% maximum
Pressure differential	0 bar [0 psi] maximum
Cavity	SDC10-2
Standard Coil	M19P 22 Watt

Theoretical performance



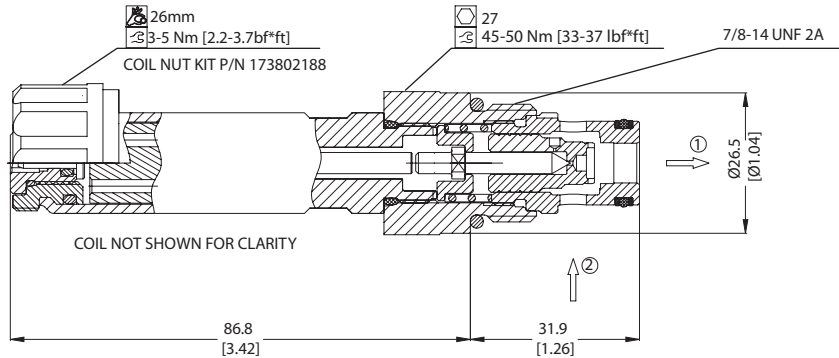
Schematic



DIMENSIONS

mm in

Cross-sectional view



ORDERING INFORMATION

PSVP10 - NOR - 12D - DE - SPS - B - 00

Proportional Flow Control Valve, Non-Compensated, Poppet Type, Normally Open, Free Reverse Flow, 10 Size Cavity

Code	Coil Voltage
00	No Coil
12D	12V DC
24D	24 V DC

Code	Coil Termination
00	No Coil
AJ	Amp Junior
DE	Deutsch
DN	DIN 43650

Code*	Manual Override
Omit	Push Pin (Standard)
SPS	Screw Style (Push-Type Valve)

*PB (Push-Button) available upon request

Code	Seal	Seal Kit
B	Buna-N	354004019
V	Viton	354003419

Body & Ports	Body Nomenclature
00 = No housing	No Body
6S = AI, #6 SAE	CP10-2-6S
8S = AI, #8 SAE	CP10-2-8S
DG3B = AI, 3/8 BSP	SDC10-2-DG3B
DG4B = AI, 1/2 BSP	SDC10-2-DG4B
Other housings available	