

PSVP12-NOR

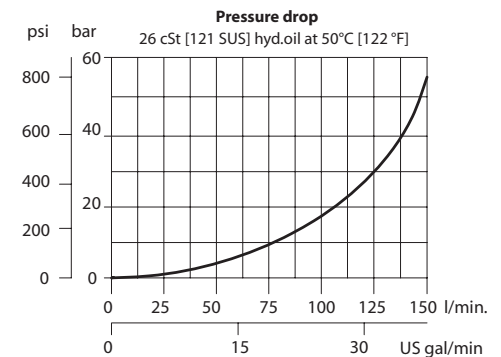
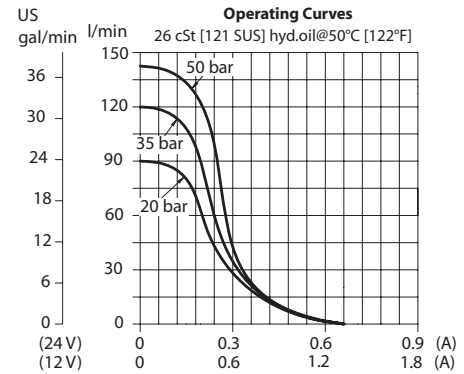
OPERATION

This is a non-compensated, normally-open, pilot-operated, poppet-type, proportional flow-control. Controlled flow is from port 2 to 1.

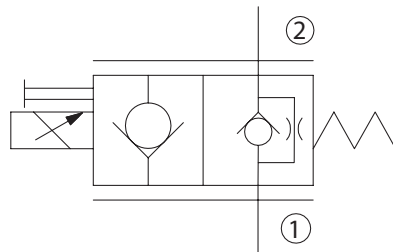
SPECIFICATIONS

Rated pressure	260 bar [3770 psi]
Rated flow at 10 bar [150 psi]	70 l/min [18 US gal/min]
Leakage	6 drops/min @ Rated pressure
Weight	0.60 kg [1.32 lb]
Hysteresis	8% maximum
Pressure differential	0 bar [0 psi] maximum
Cavity	SDC12-2
Standard Coil	M19P 22 Watt

Theoretical performance

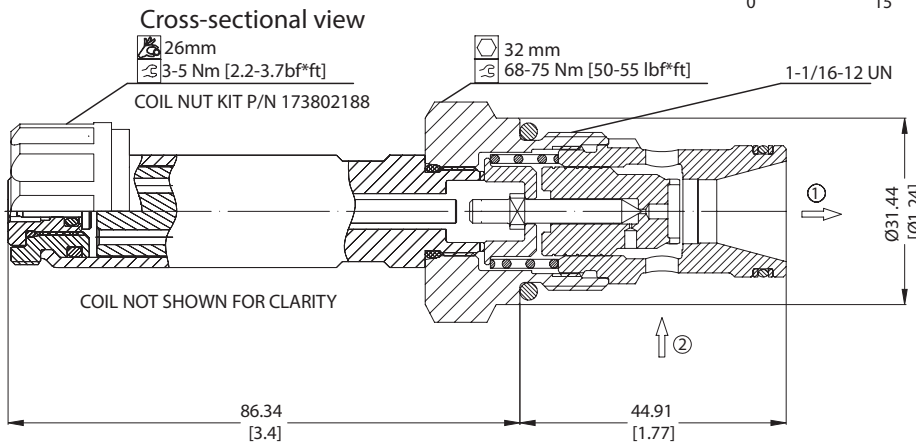


Schematic



DIMENSIONS

mm in



ORDERING INFORMATION

PSVP12 - NOR - 12D - DE - SPS - B - 00

Proportional Flow Control Valve,
 Non-Compensated, Poppet Type,
 Normally Open, Free Reverse Flow,
 12 Size Cavity

Code	Coil Voltage
00	No Coil
12D	12V DC
24D	24 V DC

Code	Coil Termination
00	No Coil
AJ	Amp Junior
DE	Deutsch
DN	DIN 43650

Code*	Manual Override
Omit	Push Pin (Standard)
SPS	Screw Style (Push-Type Valve)

*PB (Push-Button) available upon request

Code	Seal	Seal Kit
B	Buna-N	354008319
V	Viton	354008419

Body & Ports	Body Nomenclature
00 = No housing	No Body
10S = Al, #10 SAE	CP12-2-10S
12S = Al, #12 SAE	CP12-2-12S
DG4B = Al, 1/2 BSP	SDC12-2-DG4B
DG6B = Al, 3/4 BSP	SDC12-2-DG6B
Other housings available	