

PSVP16-NOR

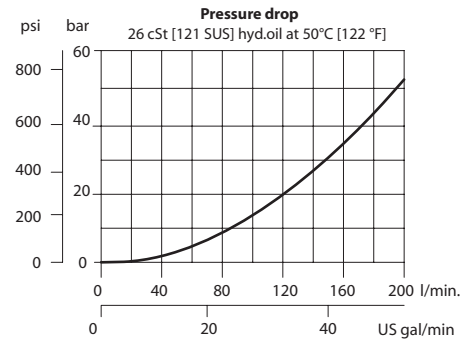
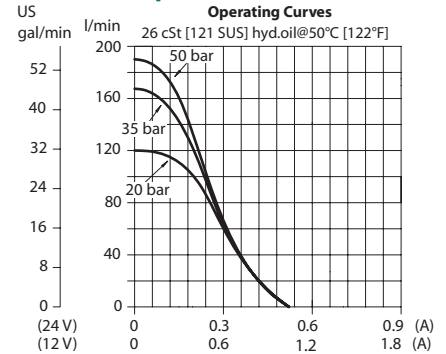
**OPERATION**

This is a non-compensated, normally-open, pilot-operated, poppet-type, proportional flow-control. Controlled flow is from port 2 to 1.

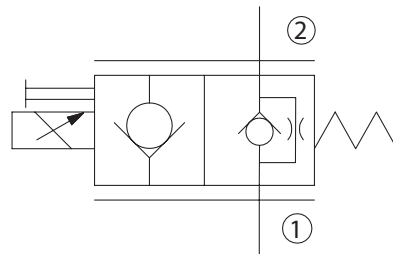
**SPECIFICATIONS**

<b>Rated pressure</b>	260 bar [3770 psi]
<b>Rated flow at 10 bar [150 psi]</b>	80 l/min [21 US gal/min]
<b>Leakage</b>	6 drops/min @ Rated pressure
<b>Weight</b>	0.85 kg [1.87 lb]
<b>Hysteresis</b>	8% maximum
<b>Pressure differential</b>	0 bar [0 psi] maximum
<b>Cavity</b>	SDC16-2
<b>Standard Coil</b>	M19P 22 Watt

**Theoretical performance**



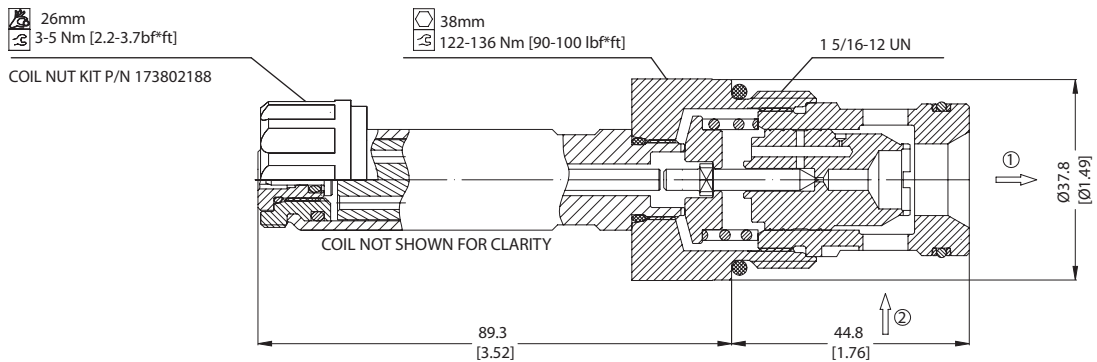
**Schematic**



**DIMENSIONS**

mm in

**Cross-sectional view**



**ORDERING INFORMATION**

PSVP16 - NOR - 12D - DE - SPS - B - 00

Proportional Flow Control Valve,  
 Non-Compensated, Poppet Type,  
 Normally Open, Free Reverse Flow,  
 16 Size Cavity

Code	Coil Voltage
00	No Coil
12D	12V DC
24D	24 V DC

Code	Coil Termination
00	No Coil
AJ	Amp Junior
DE	Deutsch
DN	DIN 43650

Code*	Manual Override
Omit	Push Pin (Standard)
SPS	Screw Style (Push-Type Valve)

\*PB (Push-Button) available upon request

Code	Seal	Seal Kit
B	Buna-N	354008719
V	Viton	354008819

Body & Ports	Body Nomenclature
00 = No housing	No Body
DG6B = Al, 3/4 BSP	SDC16-2-DG-6B
DG8B = Al, 1 BSP	SDC16-2-DG-8B
12S = Al, #12 SAE	CP16-2-12S
16S = Al, #16 SAE	CP16-2-16S
Other housings available	

Proportional Valves  
PSVP16-NOR