

PFC12-RO

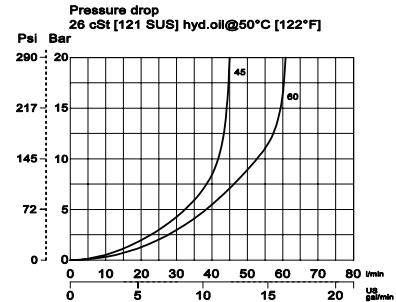
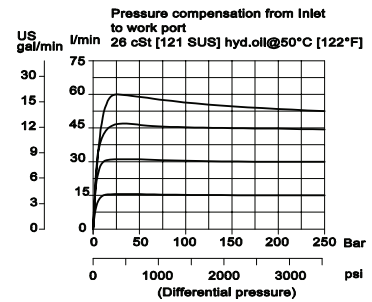
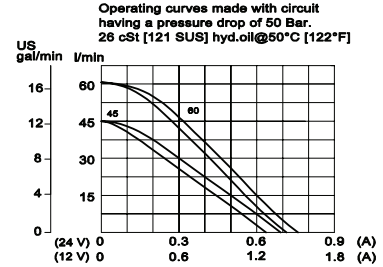
OPERATION

This is a pressure-compensated, restrictive-type, normally-open, spool-type, proportional flow-control. Controlled flow is from port 1 to 2.

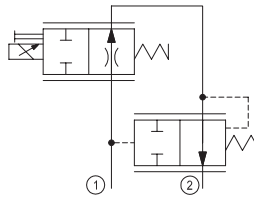
Theoretical performance

SPECIFICATIONS

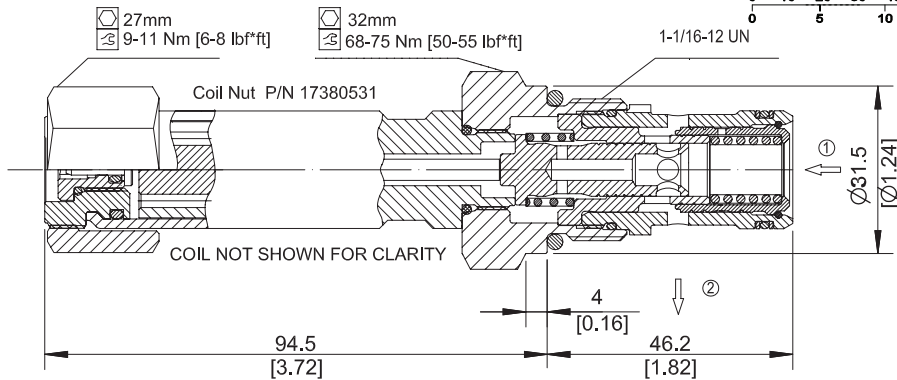
Rated pressure	260 bar [3770 psi]
Maximum Flow at rated pressure	PFC12-RO-45: 45 l/min [11.9 US gal/min] PFC12-RO-60: 60 l/min [15.9 US gal/min]
Leakage	420 cm ³ /min [25.6 in ³ /min] @ Rated pressure
Weight	0.77 kg [1.70 lb]
Hysteresis	8% maximum
Threshold current	0.42 A (12 VDC coil) 0.21 A (24 VDC coil)
Maximum control current	1.8 A (12 VDC coil) 0.9 A (24 VDC coil)
Pressure differential	0 bar [0 psi] maximum
Cavity	SDC12-2
Standard Coil	D14E(35W) 35 Watt



Schematic



Cross-sectional view



DIMENSIONS

mm in

ORDERING INFORMATION

PFC12-RO-60-12D-DE-SPS-B-00

Proportional Flow Control Valve, Pressure Compensated, Restrictive Type, Normally Open, 12 Size Cavity

Code	Max regulated flow
45	45 l/min
60	60 l/min

Code	Coil Voltage
00	No Coil
12D	12V DC
24D	24 V DC

Code	Coil Termination
00	No Coil
AJ	Amp Junior
DE	Deutsch
DN	DIN 43850

Code*	Manual Override
Omit	Push Pin (Standard)
SPS	Screw Style (Push-Type Valve)

*PB (Push-Button) available upon request

Code	Seal	Seal Kit
B	Buna-N	354008319
V	Viton	354008419

Code	Body & Ports	Body Nomenclature
00	No housing	No Body
10S	Al, #10 SAE	CP12-2-10S
12S	Al, #12 SAE	CP12-2-12S
DG4B	Al, 1/2 BSP	SDC12-2-DG4B
DG6B	Al, 3/4 BSP	SDC12-2-DG6B

Other housings available