

**PFC16-RO**

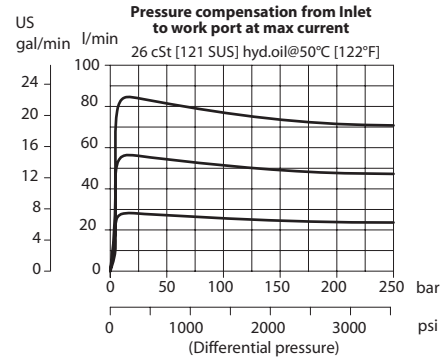
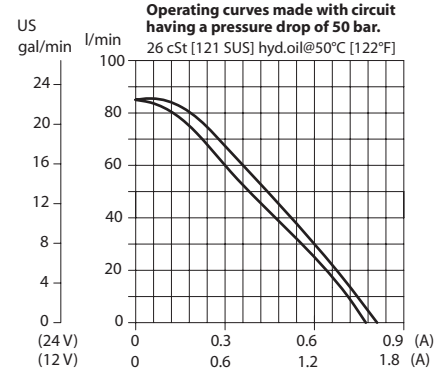
**OPERATION**

This is a pressure-compensated, restrictive-type, normally-open, spool-type, proportional flow-control. Controlled flow is from port 1 to 2.

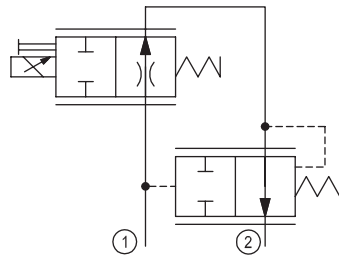
**SPECIFICATIONS**

<b>Rated pressure</b>	260 bar [3770 psi]
<b>Rated Flow at 260 bar [3771 psi]</b>	85 l/min [22 US gal/min]
<b>Leakage</b>	420 cm <sup>3</sup> /min [25.6 in <sup>3</sup> /min] @ Rated pressure
<b>Weight</b>	0.91 kg [2.01 lb]
<b>Hysteresis</b>	8% maximum
<b>Threshold current</b>	0.2 A (12 VDC coil) 0.1 A (24 VDC coil)
<b>Maximum control current</b>	1.8 A (12 VDC coil) 0.9 A (24 VDC coil)
<b>Pressure differential</b>	0 bar [0 psi] maximum
<b>Cavity</b>	SDC16-2
<b>Standard Coil</b>	D14E(35W) 35 Watt

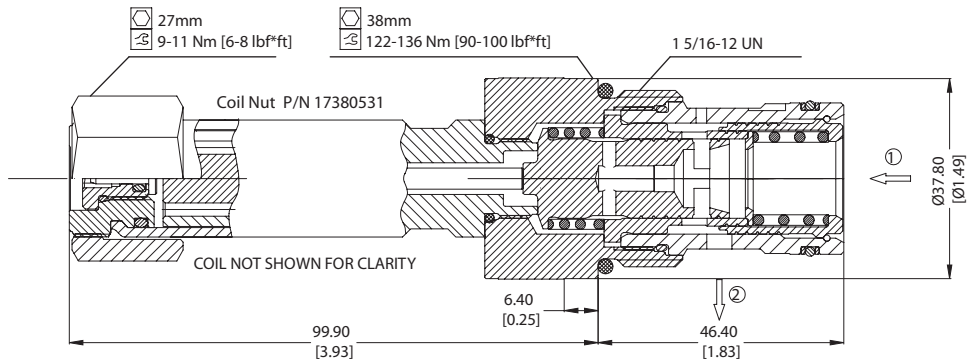
**Theoretical performance**



**Schematic**



**Cross-sectional view**



**DIMENSIONS**

mm in

**ORDERING INFORMATION**

**PFC16 - RO - 85 - 12D - DE - SPS - B - 00**

Proportional Flow Control Valve,  
 Pressure Compensated,  
 Restrictive Type, Normally Open,  
 16 Size Cavity

Code	Max regulated flow
85	85 l/m

Code	Coil Voltage
00	No Coil
12D	12V DC
24D	24 V DC

Code	Coil Termination
00	No Coil
AJ	Amp Junior
DE	Deutsch
DN	DIN 43650

Code*	Manual Override
Omit	Push Pin (Standard)
SPS	Screw Style (Push-Type Valve)

\*PB (Push-Button) available upon request

Code	Seal	Seal Kit
B	Buna-N	354008719
V	Viton	354008819

Body & Ports	Body Nomenclature
00 = No housing	No Body
DG6B = Al, 3/4 BSP	SDC16-2-DG-6B
DG8B = Al, 1 BSP	SDC16-2-DG-8B
12S = Al, #12 SAE	CP16-2-12S
16S = Al, #16 SAE	CP16-2-16S

Proportional Valves  
 PFC16-RO