

PFC10-PC

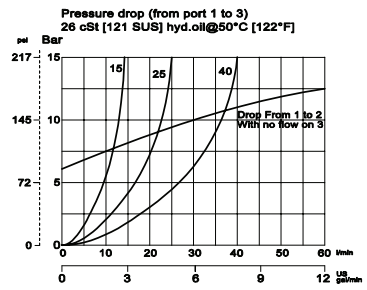
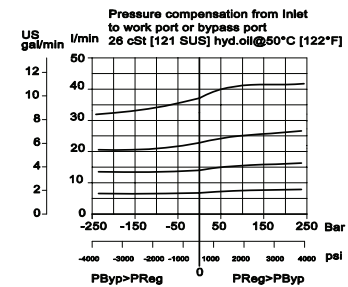
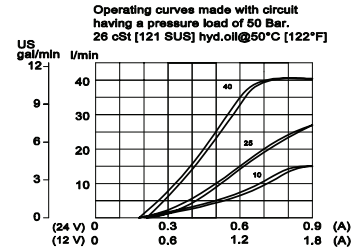
OPERATION

This is a pressure-compensated, priority-type, normally-closed, spool-type, proportional flow-control. Controlled flow is from port 1 to 3, port 2 is bypass.

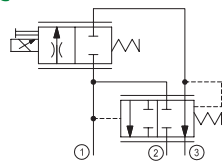
SPECIFICATIONS

Rated pressure	260 bar [3770 psi]
Maximum flow at rated pressure	PFC10-PC-10: 10 l/min [2.64 US gal/min] PFC10-PC-25: 25 l/min [6.6 US gal/min] PFC10-PC-40: 40 l/min [10.6 US gal/min]
Leakage	420 cm ³ /min [25.6 in ³ /min] @ rated pressure
Weight including coil	0.62 kg [1.37 lb]
Hysteresis	8% maximum
Threshold current	0.36 A (12 VDC coil) 0.18 A (24 VDC coil)
Maximum control current	1.8 A (12 VDC coil) 0.9 A (24 VDC coil)
Pressure differential	0 bar [0 psi] maximum
Cavity	SDC10-3
Standard Coil	M19P 22 Watt

Theoretical performance



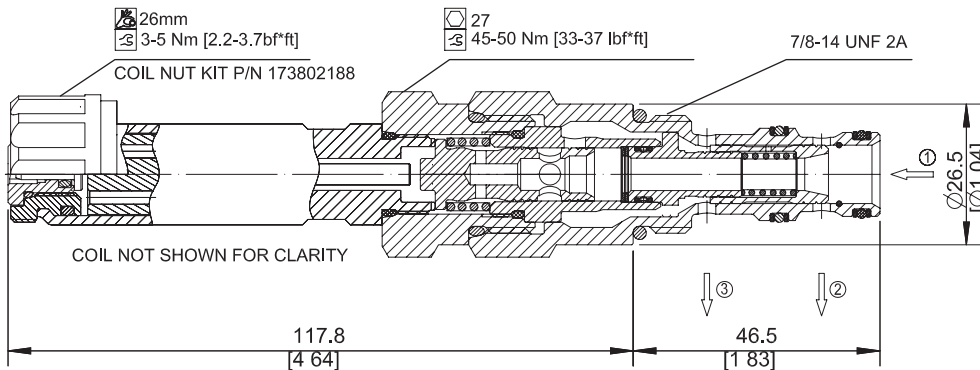
Schematic



Cross-sectional view

DIMENSIONS

mm in



ORDERING INFORMATION

PFC10-PC-40-12D-DE-SPS-B-00

Proportional Flow Control Valve, Pressure Compensated, Priority Type, Normally Closed, 10 Size Cavity

Code	Max regulated flow
10	10 = 10 l/min
25	25 = 10 l/min
40	40 = 10 l/min

Code	Coil Voltage
00	No Coil
12D	12V DC
24D	24 V DC

Code	Coil Termination
00	No Coil
AJ	Amp Junior
DE	Deutsch
DN	DIN 43650

Code*	Manual Override
Omit	Push Pin (Standard)
SPS	Screw Style (Push-Type Valve)

*PB (Push Button) available upon request

Code	Seal	Seal Kit
B	Buna-N	35400421
V	Viton	35400371

Body & Parts	Body Nomenclature
00	No housing
6S	Al #6 SAE
8S	Al #8 SAE
SES38	Al, 3/8" BSP
SE48	Al, 1/2" BSP
	Other housings available