

PFC12-PC

OPERATION

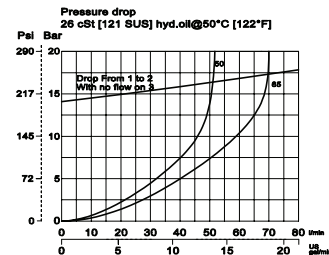
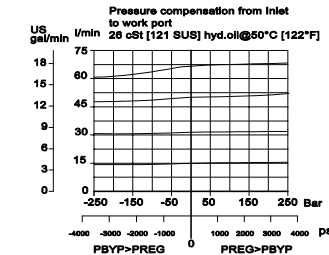
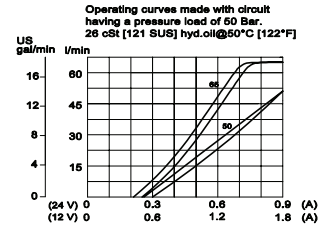
This is a pressure-compensated, priority-type, normally-closed, spool-type, proportional flow-control. Controlled flow is from port 1 to 3, port 2 is bypass.

SPECIFICATIONS

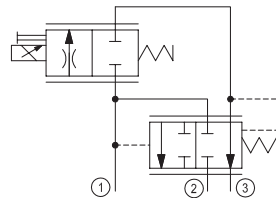
<b>Rated pressure</b>	260 bar [3770 psi]
<b>Maximum flow at rated pressure</b>	PFC12-PC-50: 50 l/min [13.21 US gal/min] PFC12-PC-65: 65 l/min [17.17 US gal/min]
<b>Leakage</b>	420 cm <sup>3</sup> /min [25.6 in <sup>3</sup> /min] @ rated pressure
<b>Weight</b>	0.81 kg [1.79 lb]
<b>Hysteresis</b>	8% maximum
<b>Threshold current</b>	0.5 A (12 VDC coil) 0.25 A (24 VDC coil)
<b>Maximum control current</b>	1.8 A (12 VDC coil) 0.9 A (24 VDC coil)
<b>Pressure differential</b>	0 bar [0 psi] maximum
<b>Cavity</b>	SDC12-3
<b>Standard Coil</b>	D14E(35W) 35 Watt

Theoretical performance

REFERENCE



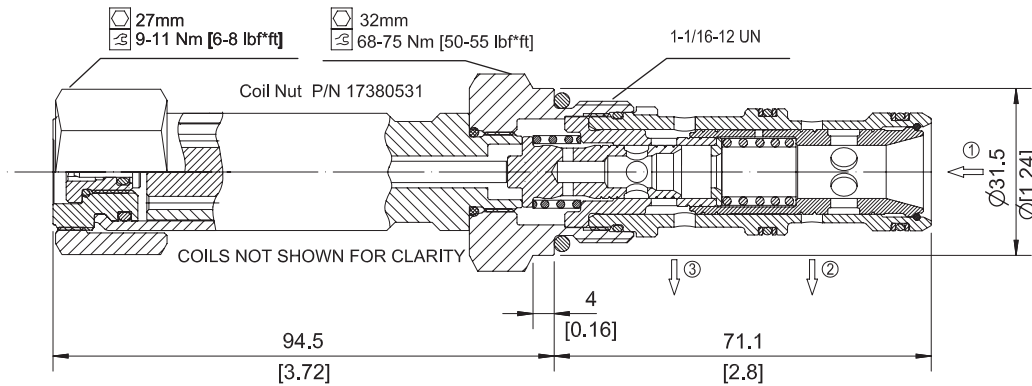
Schematic



DIMENSIONS

mm in

Cross-sectional view



ORDERING INFORMATION

PFC12 - PC - 65 - 12D - DE - SPS - B - 00

Proportional Flow Control Valve, Pressure Compensated, Priority Type, Normally Closed, 12 Size Cavity

Code	Max regulated flow
50	50 l/m
65	65 l/m

Code	Coil Voltage
00	No Coil
12D	12V DC
24D	24 V DC

Code	Coil Termination
00	No Coil
AJ	Amp Junior
DE	Deutsch
DN	DIN 43650

Code*	Manual Override
Omit	Push Pin (Standard)
SPS	Screw Style (Push-Type Valve)

\*PB (Push-Button) available upon request

Code	Seal	Seal Kit
B	Buna-N	354008319
V	Viton	354008419

Body & Ports	Body Nomenclature
00 = No housing	No Body
10S = Al, #10 SAE	CP12-3-10S
12S = Al, #12 SAE	CP12-3-12S
4B = Al, 1/2 BSP	SDC12-3-HE4B
6B = Al, 3/4 BSP	SDC12-3-HE6B
Other housings available	