

PFC16-PC

OPERATION

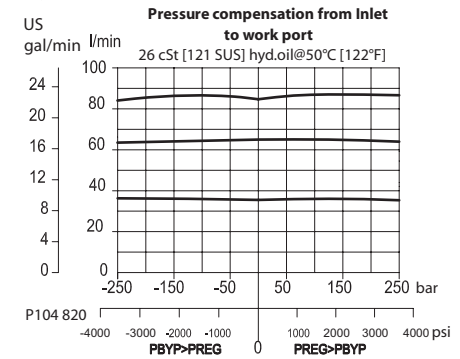
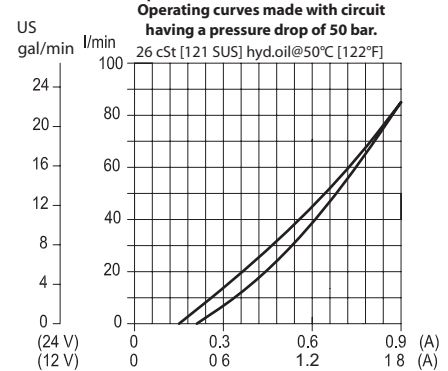
This is a pressure-compensated, priority-type, normally-closed, spool-type, proportional flow-control. Controlled flow is from port 1 to 3, port 2 is bypass.

SPECIFICATIONS

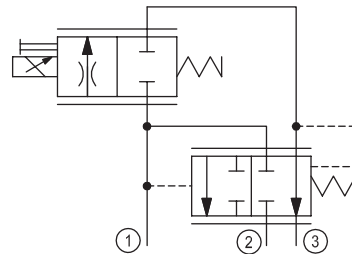
Specifications

Rated pressure	260 bar 3770 psi
Rated flow at 260 bar 3771 psi	85 l/min 22 US gal/min
Leakage	420 cm ³ /min 25.6 in ³ /min @ at rated pressure
Weight	0.97 kg 2.14 lb
Hysteresis	8% maximum
Threshold current	0.4 A (12 VDC coil) 0.2 A (24 VDC coil)
Maximum control current	1.8 A (12 VDC coil) 0.9 A (24 VDC coil)
Pressure differential	0 bar 0 psi maximum
Cavity	SDC16-3
Standard Coil	D14E(35W) 35 Watt

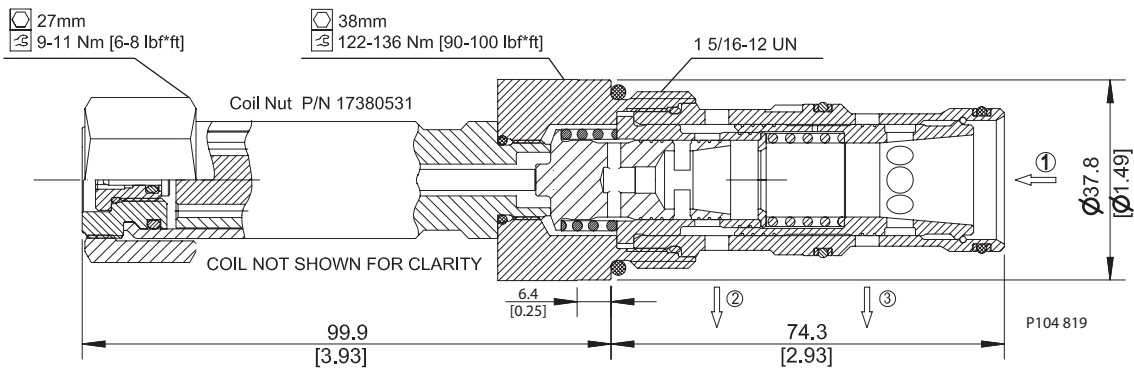
Theoretical performance



Schematic



Cross-sectional view



DIMENSIONS

mm in

ORDERING INFORMATION

PFC16 - PC - 85 - 12D - DN - SPS - B - 00

Proportional Flow Control Valve,
 Pressure Compensated,
 Priority Type, Normally Closed,
 16 Size Cavity

Code	Max regulated flow
85	85 l/min

Code	Coil Voltage
00	No Coil
12D	12V DC
24D	24 V DC

Code	Coil Termination
00	No Coil
AJ	Amp Junior
DE	Deutsch
DN	DIN 43650

Code*	Manual Override
Omit	Push Pin (Standard)
SPS	Screw Style (Push-Type Valve)

*PB (Push-Button) available upon request

Code	Seal	Seal Kit
B	Buna-N	354008919
V	Viton	354009019

Code	Manual Override	Body & Ports	Body Nomenclature
00	No housing	00 = No housing	No Body
6B	Al, 3/4 BSP	6B = Al, 3/4 BSP	SDC16-3-HE-6B
8B	Al, 1 BSP	8B = Al, 1 BSP	SDC16-3-HE-8B
12S	Al, #12 SAE	12S = Al, #12 SAE	CP16-3-12S
16S	Al, #16 SAE	16S = Al, #16 SAE	CP16-3-16S

Other housings available