

**PFC10-PO**

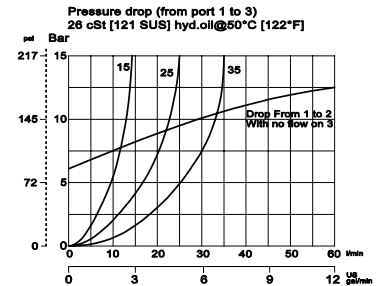
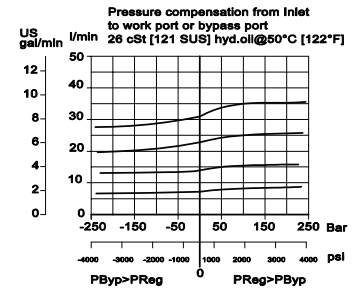
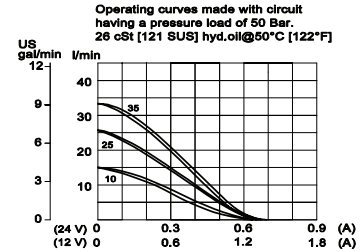
**OPERATION**

This is a pressure-compensated, priority-type, normally-open, spool-type, proportional flow-control. Controlled flow is from port 1 to 3, port 2 is bypass.

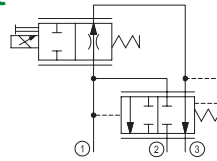
**SPECIFICATIONS**

<b>Rated pressure</b>	260 bar [3770 psi]
<b>Maximum flow at rated pressure</b>	PFC10-PO-10: 10 l/min [2.64 US gal/min] PFC10-PO-25: 25 l/min [6.6 US gal/min] PFC10-PO-35: 35 l/min [9.25 US gal/min]
<b>Leakage</b>	420 cm <sup>3</sup> /min [25.6 in <sup>3</sup> /min] @ rated pressure
<b>Weight including coil</b>	0.72 kg [1.59 lb]
<b>Hysteresis</b>	8% maximum
<b>Threshold current</b>	0.1 A (12 VDC coil) 0.05 A (24 VDC coil)
<b>Maximum control current</b>	1.8 A (12 VDC coil) 0.9 A (24 VDC coil)
<b>Pressure differential</b>	0 bar [0 psi] maximum
<b>Cavity</b>	SDC10-3
<b>Standard Coil</b>	M19P 22 Watt

**Theoretical performance**



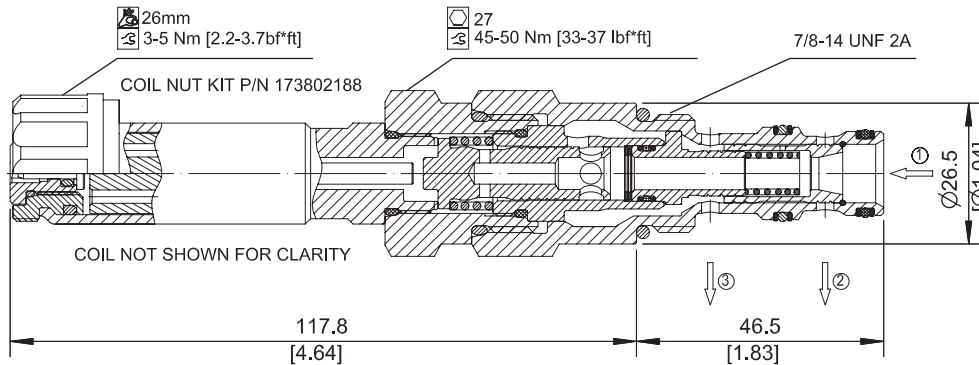
**Schematic**



**DIMENSIONS**

mm in

**Cross-sectional view**



**ORDERING INFORMATION**

**PFC10 - PO - 35 - 12D - DN - SPS - B - 00**

Proportional Flow Control Valve, Pressure Compensated, Priority Type, Normally Open, 10 Size Cavity

Code	Max regulated flow
10	10 l/min
25	25 l/min
35	35 l/min

Code	Coil Voltage
00	No Coil
12D	12V DC
24D	24 V DC

Code	Coil Termination
00	No Coil
AJ	Amp Junior
DE	Deutsch
DN	DIN 43650

Code	Seal	Seal Kit
B	Buna-N	35400421
V	Viton	35400371

Code*	Manual Override
Omit	Push Pin (Standard)
SPS	Screw Style (Push-Type Valve)

Body & Ports	Body Nomenclature
00 = No housing	No Body
6S = Al, #6 SAE	CP10-3-6S
8S = Al, #8 SAE	CP10-3-8S
SE38 = Al, 3/8" BSP	SDC10-3-SE38
SE4B = Al, 1/2" BSP	SDC10-SE4B

\*PB (Push-Button) available upon request