

PFC16-PO

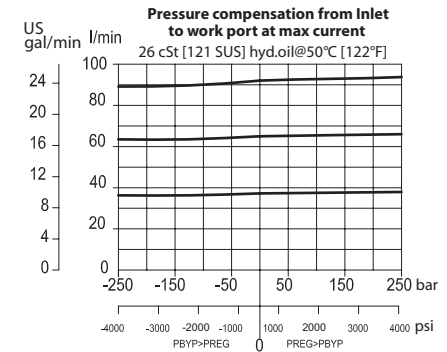
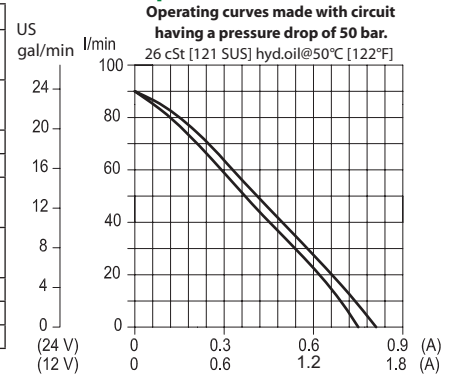
OPERATION

This is a pressure-compensated, priority-type, normally-open, spool-type, proportional flow-control. Controlled flow is from port 1 to 3, port 2 is bypass.

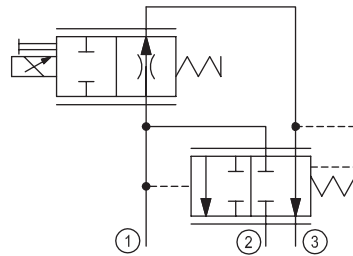
SPECIFICATIONS

Rated pressure	260 bar [3770 psi]
Rated flow at 260 bar [3771 psi]	90 l/min [24 US gal/min]
Leakage	420 cm ³ /min [25.6 in ³ /min] @ rated pressure
Weight	0.97 kg [2.14 lb]
Hysteresis	8% maximum
Threshold current	0.1 A (12 VDC coil) 0.05 A (24 VDC coil)
Maximum control current	1.8 A (12 VDC coil) 0.9 A (24 VDC coil)
Pressure differential	0 bar [0 psi] maximum
Cavity	SDC16-3
Standard Coil	D14E(35W) 35 Watt

Theoretical performance



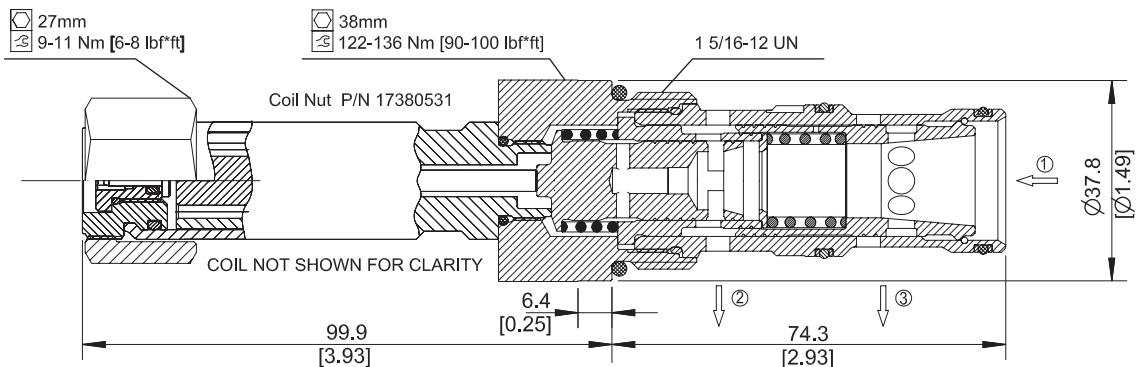
Schematic



DIMENSIONS

mm in

Cross-sectional view



ORDERING INFORMATION

PFC16-PO - 90 - 12D - DE - SPS - B - 00

Proportional Flow Control,
 Pressure Compensated, Priority Type,
 Normally Open, 16 Size Cavity

Code	Max Regulated Flow
90	90 l/m

Code	Coil Voltage
00	No Coil
12D	12V DC
24D	24V DC

Code	Coil Termination
00	No Coil
AJ	Amp Junior
DE	Deutsch
DN	DIN 43650

Code*	Manual Override
Omit	Push Pin (Standard)
SPS	Screw Style (Push-Type Valve)

Housings & Ports	Housing P/N
00: Cartridge Only	No Housing
6B: 3/4 BSP, AL	SDC16-3-HE-6B
8B: 1 BSP, AL	SDC16-3-HE-8B
12S: #12 SAE, AL	CP16-3-12S
16S: #16 SAE, AL	CP16-3-16S

Other Housings available

Code	Seal Material	Seal kit
B	Buna	354008919
V	Viton	354009019

*PB (Push Button) available upon request