

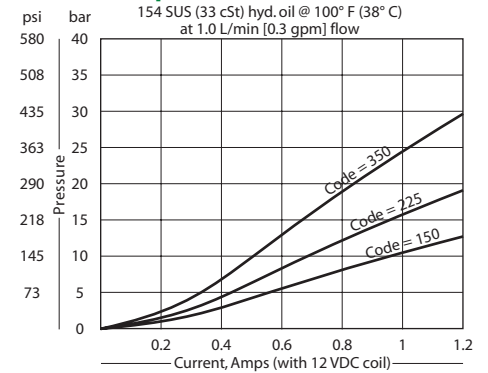
OPERATION

This valve is a direct acting, proportional, pressure reducing/relieving valve.

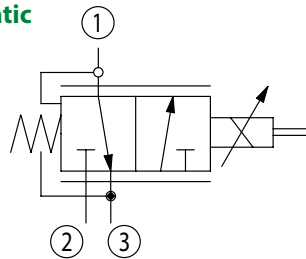
SPECIFICATIONS

| | |
|--------------------------------------|---------------------------------------------|
| Rated pressure | 34 bar [500 psi] |
| Rated flow at 7 bar [100 psi] | 4 l/min [1 US gal/min] |
| Weight | 0.27 kg [0.60 lb] |
| Hysteresis | 10% maximum |
| Threshold current | 0.1 A (12 VDC coil) 0.05 A (24 VDC coil) |
| Maximum control current | 1 A (12 VDC coil) 0.5 A (24 VDC coil) |
| Cavity | SDC08-3 |
| Standard Coil | D08 16 Watt |
| Coil nut | 322399 |

Theoretical performance



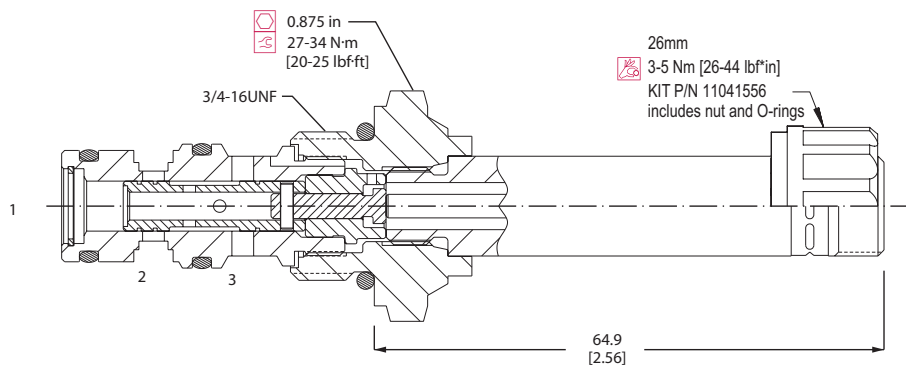
Schematic



DIMENSIONS

mm in

Cross-sectional view



ORDERING INFORMATION

CP558-24-B-4S-150-12D-H

Seals

B = Buna-N Seal Kit 11016151
 V = Viton 120708

Housing and ports

00 = No Housing
 SE2B = AL, 1/4 BSP
 SE3B = AL, 3/8 BSP
 4S = AL, #4 SAE
 6S = AL, #6 SAE

Housing P/N

No Housing
 SDC08-3-SE-2B
 SDC08-3-SE-3B
 CP08-3-4S
 CP08-3-6S

Voltage

000 = No coil
 12D = 12 VDC coil
 24D = 24 VDC coil

Pressure Code

150 = 10.3 bar [150 psi]
 225 = 15.5 bar [225 psi]
 350 = 24.1 bar [350 psi]

Connector

0 = No connector
 H = DIN 43650
 L = Lead
 S = Spade
 AJ = Amp Junior
 M2 = Metripak 150 Type 1
 DE = Deutsch