

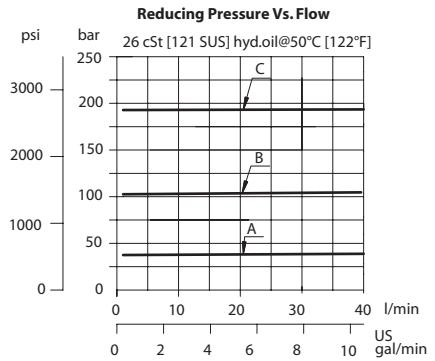
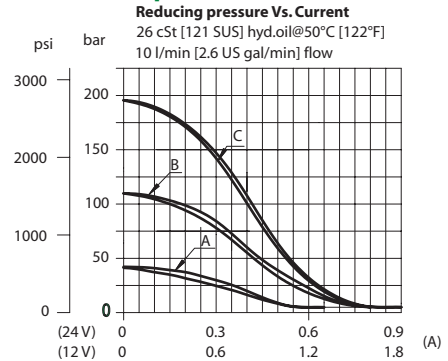
OPERATION

This is a pilot-operated, proportional pressure-reducing/relieving valve (Normally closed).

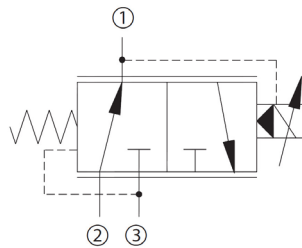
SPECIFICATIONS

Rated pressure	250 bar (3625 psi)
Rated flow at 7 bar [100 psi]	18 l/min [5 US gal/min]
Weight	0.62 kg [1.37 lb]
Hysteresis	10% maximum
Threshold current	0 A (12 VDC coil) 0 A (24 VDC coil)
Maximum control current	1.4 A (12 VDC coil) 0.7 A (24 VDC coil)
Pressure differential	0 bar [0 psi] maximum
Cavity	SDC10-3
Standard Coil	M19P 22 Watt

Theoretical performance



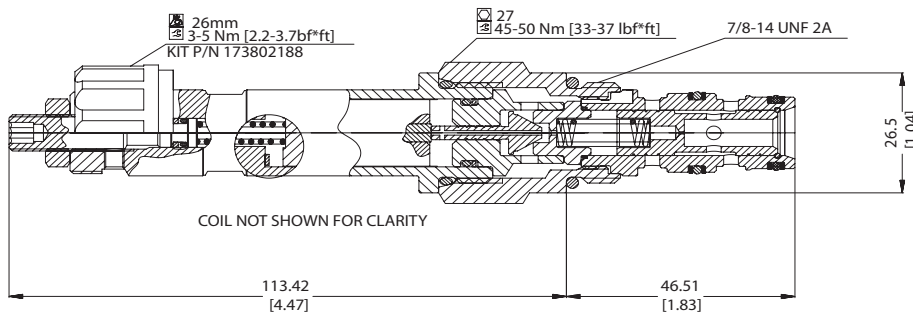
Schematic



Cross-sectional view

DIMENSIONS

mm in



ORDERING INFORMATION

PPR10-PAC-40-A-12D-DN-B-00

<p>Cracking pressure Code = Setting in Bar Std. setting 40 = 40 bar setting (type A) 100 = 100 bar setting (type B) 200 = 200 bar setting (type C)</p> <p>Pressure range A= 20 - 60 bar [360 - 940 psi] Max inlet pressure 150 Bar B= 70 - 150 bar [960-2250 psi] C= 160 - 210 bar [2260-3120 psi]</p> <p>Coil voltage 12D=12VDC 24D=24VDC 00=No Coil</p>	<p>Housing and ports 00 = Cartridge only 6S = Al, #6 SAE 8S = Al, #8 SAE SE3B = Al, 3/8" BSP SE4B = Al, 1/2" BSP Other housing available</p> <p>Seals B = Buna-N V = Viton</p> <p>Coil termination 00 = No coil, nut included AJ = AMP Junior DE = Deutsch DN = DIN 46650 FL = Flying leads(140mm lead length standard)</p>	<p>Housing Nomenclature No Body CP10-3-6S CP10-3-8S SDC10-3-SE3B SDC10-3-SE4B</p> <p>Seals kit 354004210 354003719</p>
---	---	---

Proportional Valves
 PPR10-PAC