

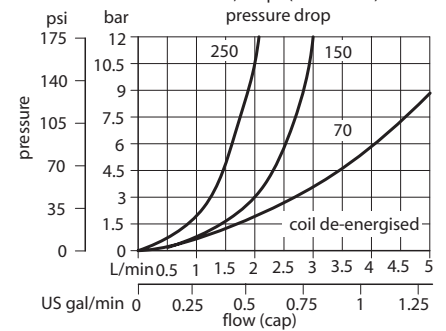
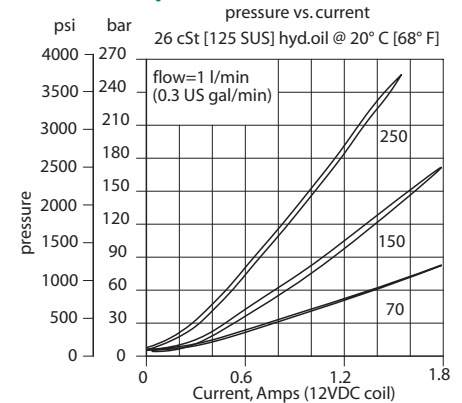
OPERATION

This is a direct-acting normally-open, proportional relief valve.

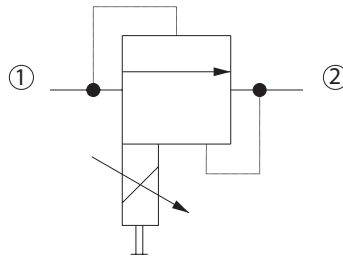
SPECIFICATIONS

Rated pressure	250 bar [3600 psi]
Rated flow	5 l/min [1 US gal/min]
Weight	0.44 kg [0.97 lb]
Hysteresis	3% maximum
Threshold current	0 A (12 VDC coil) 0 A (24 VDC coil)
Maximum control current	1.8 A (12 VDC coil) 0.9 A (24 VDC coil)
Cavity	NCS04/2
Standard Coil	M19P 22 Watt

Theoretical performance



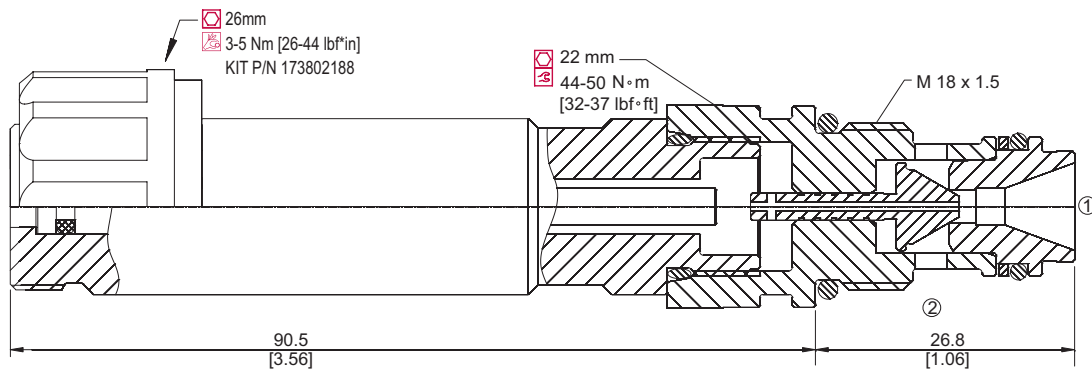
Schematic



DIMENSIONS

mm in

Cross-sectional view



ORDERING INFORMATION

XMD 04 - 70 - 24D - DE - EN - 00 - V

Proportional Relief Valve, Pilot Operated, Normally Open, 06 Size Cavity (Metric)

Code	Setting Range
70	3-70 bar [44-1015 psi]
150	5-150 bar [73-2176 psi]
250	7-250 bar [102-3626 psi]

Code	Coil Voltage
00	No Coil
12D	12V DC
24D	24 V DC

Code	Coil Termination
00	No Coil
∩	Amp Junior
DE	Deutsch
DN	DIN 43650
DN1	DIN w/ Connector

Code	Manual Override
00	Push Pin (Standard)
EN	Screw Style

Code	Seal	Seal Kit
Omit	Buna-N	230000390
V	Viton	230000190

Body & Ports	Body Nomenclature
00 = No housing	No Body
DG-4S = AL, #4 SAE	NCS04/2-DG-4S
DG-6S = AL, #6 SAE	NCS04/2-DG-6S
DG-1/4 = AL, 1/4 BSP	NCS04/2-DG-1/4