

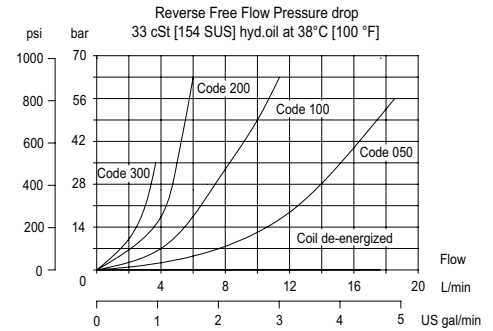
**OPERATION**

This is a direct-acting normally-open, proportional relief valve.

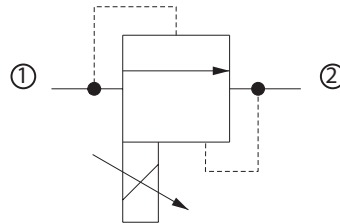
**SPECIFICATIONS**

<b>Rated pressure</b>	210 bar [3000 psi]
<b>Rated flow</b>	8 l/min [2 US gal/min]
<b>Weight</b>	0.48 kg [1.06 lb]
<b>Hysteresis</b>	10% maximum
<b>Threshold current</b>	0 A (12 VDC coil) 0 A (24 VDC coil)
<b>Maximum control current</b>	1.2 A (12 VDC coil) 0.6 A (24 VDC coil)
<b>Cavity</b>	SDC08-2
<b>Standard Coil</b>	D10 30 Watt
<b>Coil nut</b>	321978

**Theoretical performance**



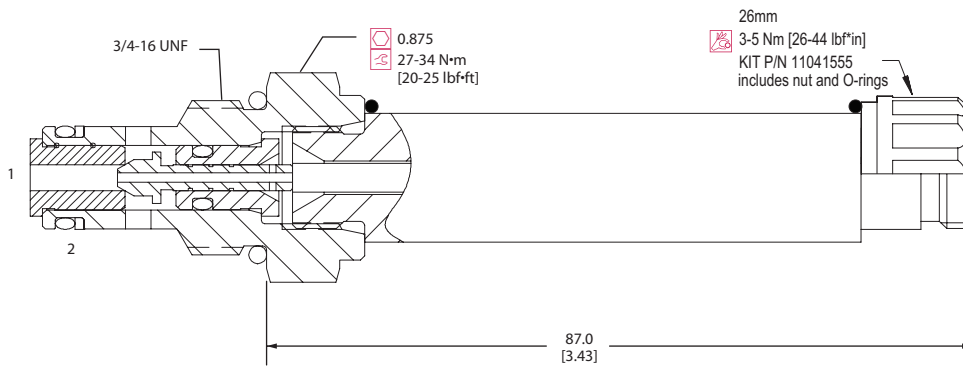
**Schematic**



**DIMENSIONS**

mm in

**Cross-sectional view**



**ORDERING INFORMATION**

CP558 - 20 - B - 6S - 300 - 24D - H

**Seals**  
 B = Buna-N  
 V = Viton

**Housing and ports**  
 0 = No Housing  
 DG2B = AL, 1/4 BSP  
 DG3B = AL, 3/8 BSP  
 4S = AL, #4 SAE  
 6S = AL, #6 SAE  
 Other housings available

**Seal kit**  
 120221  
 120222

**Housing P/N**  
 No Housing  
 SDC08-2-DG-2B  
 SDC08-2-DG-3B  
 CP08-2-4S  
 CP08-2-6S

**Voltage**  
 000 = No coil  
 12D = 12 VDC coil  
 24D = 24 VDC coil

**Pressure code**  
 050 = 35 bar [500 psi] max  
 100 = 69 bar [1000 psi] max  
 200 = 138 bar [2000 psi] max  
 300 = 207 bar [3000 psi] max

**Termination**  
 00 = No connector  
 H = DIN 43650  
 L = Lead wires  
 DE = Deutsch  
 M2 = Metripack 150 Type 1  
 S = Spade

Proportional Valves  
 CP558-20