

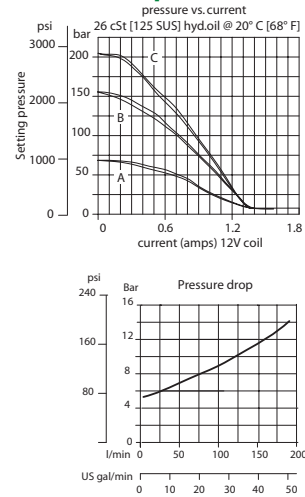
OPERATION

This is a normally-closed, pilot-operated, proportional relief valve.

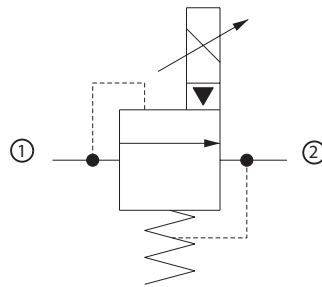
SPECIFICATIONS

Rated pressure	250 bar [3600 psi]
Rated flow	180 l/min [48 US gal/min]
Weight	0.62 kg [1.37 lb]
Hysteresis	10% maximum
Threshold current	0 A (12 VDC coil) 0 A (24 VDC coil)
Maximum control current	1.5 A (12 VDC coil) 0.8 A (24 VDC coil)
Cavity	SDC12-2
Standard Coil	M19P 22 Watt

Theoretical performance



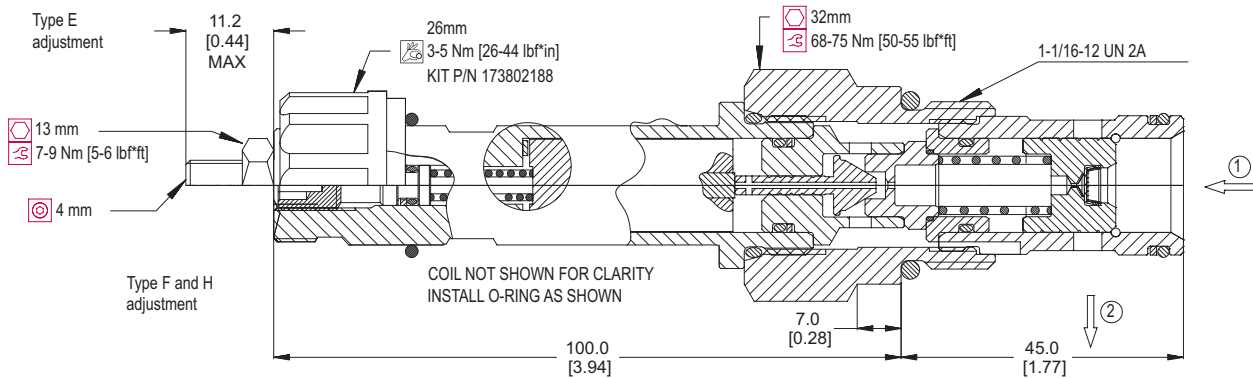
Schematic



DIMENSIONS

mm in

Cross-sectional view



ORDERING INFORMATION

PRV12 - POC* - 215 - C - 12D - DE - E - B - 00

Code	Crack Pressure (Standard Settings)	Code	Coil Voltage	Code	Coil Termination	Code	Adjustment Options	Code	Seal	Seal Kit
65	55 bar [800 psi] Range A	00	No Coil	00	No Coil	E	External	B	Buna-N	354001319
135	135 bar [1960 psi] Range B	12D	12V DC	AJ	Amp Junior	F	Tamper Resistant	V	Viton	354001819
215	215 bar [3120 psi] Range C	24D	24 V DC	DE	Deutch	H	Hidden			
				DN	DIN 43650					

Body & Ports
 00 = No Housing; No Body
 135 = AL #10 SAE CP12-2-10S
 125 = AL #12 SAE CP12-2-12S
 DG4B = AL 1/2 BSP SDC12-2-DG4B
 DG6B = AL 3/4 BSP SDC12-2-DG6B
 Other housings available

Body Nomenclature
 12 Size Cavity

*PRV12-1S2 is the same valve as PRV12-POC, with the following differences:
 1) The -1S2 uses the M19P-12; or M19P-24L coil (low power) and 2) the pressure is set at a higher flow.
 The 1S2 is designed specifically for fan drive applications where the valve is in a hot ambient engine compartment.

Proportional Valves
 PRV12-POC