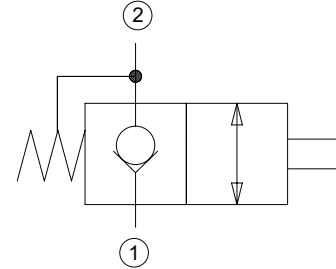


OPERATION

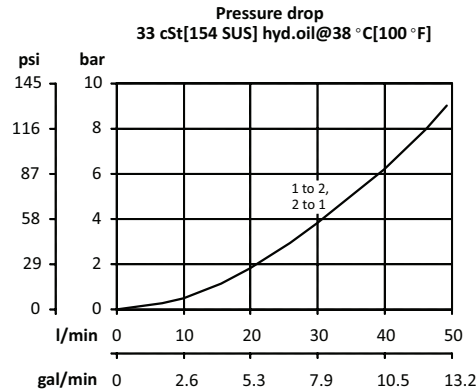
This valve is a normally closed, manually operated, poppet type valve with free reverse flow..

Schematic



SPECIFICATIONS

Theoretical performance



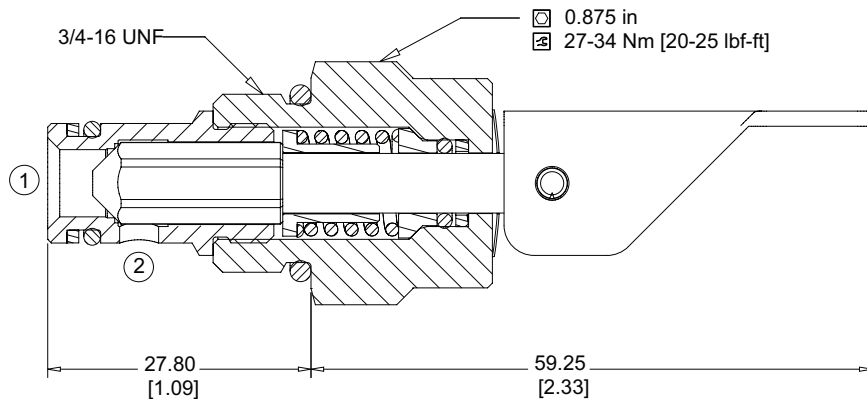
Specifications

Rated pressure	207 bar [3000 psi]
Rated flow at 7 bar [100 psi]	48 l/min [12.7 US gal/min]
Leakage	6 drops/min @ Rated pressure
Weight	0.12 kg [0.27 lb]
Cavity	SDC08-2

DIMENSIONS

mm [in]

Cross-sectional view



ORDERING INFORMATION

DMP08-NC-18-LD-B-00

Shift Force 18 = 18 N [4 lbf]	Handle Option LD = Detented Lever	Housing and ports 00 = No Housing DG-2B = Al, 1/4 BSP DG-3B = Al, 3/8 BSP 4S = Al, #4 SAE 6S = Al, #6 SAE	Housing Part # No Housing SDC08-2-DG-2B SDC08-2-DG-3B CP08-2-4S CP08-2-6S
		Seals B = Buna-N V = Viton	Seal Kit 120221 120222