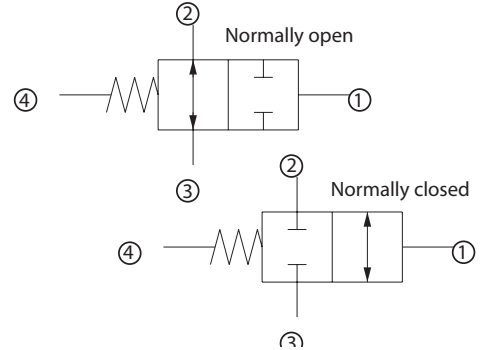


OPERATION

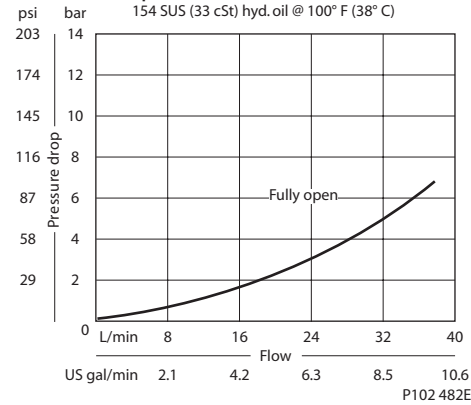
This valve is a 2-way double hydraulically piloted spool.

Schematic



SPECIFICATIONS

Theoretical performance



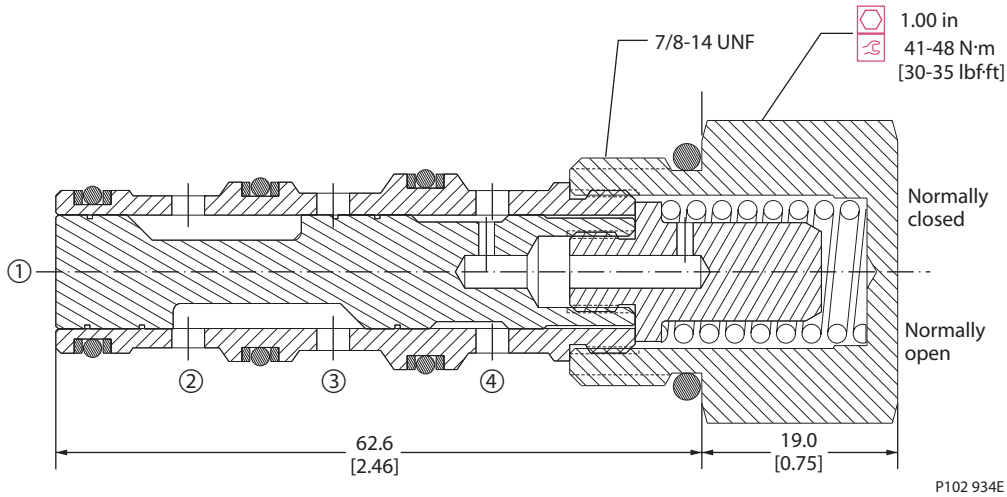
Specifications

Rated pressure	210 bar [3000 psi]
Rated flow at 7 bar [100 psi]	40 l/min [11 US gal/min]
Weight	0.15 kg [0.33 lb]
Cavity	SDC10-4

DIMENSIONS

mm [in]

Cross-sectional view



ORDERING INFORMATION

CP710 - 8 - B - 16S - C - 080

Seals

- B = Buna-N
- V = Viton

Housing and ports

- 0 = No Housing
- L3B = AL, 3/8 BSP
- L4B = AL, 1/2 BSP
- 6S = AL, #6 SAE
- 8S = AL, #8 SAE
- Other housings available

Housing P/N

- No Housing
- SDC10-4-L-3B
- SDC10-4-L-4B
- CP10-4-6S
- CP10-4-8S

Shift pressure

- 040 = 2.8 bar [40 psi]
- 080 = 5.5 bar [80 psi]
- 150 = 10.3 bar [150 psi]

Configuration

- O = Normally open
- C = Normally closed

P102 935E