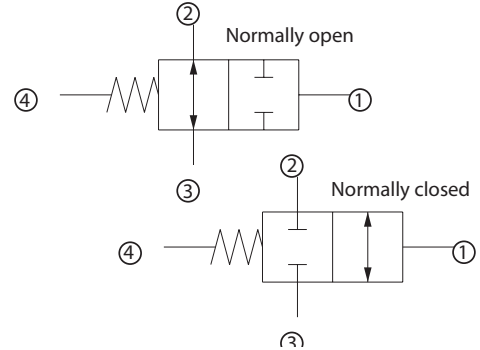


**OPERATION**

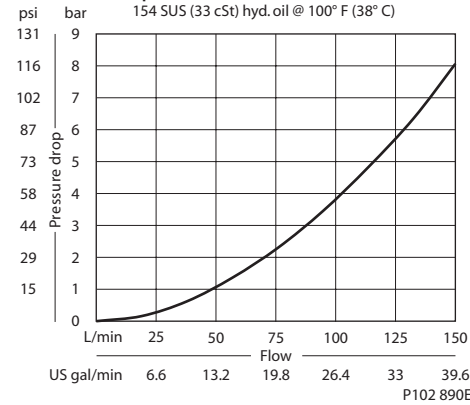
This valve is a 2-way double hydraulically piloted spool.

**Schematic**



**SPECIFICATIONS**

**Theoretical performance**



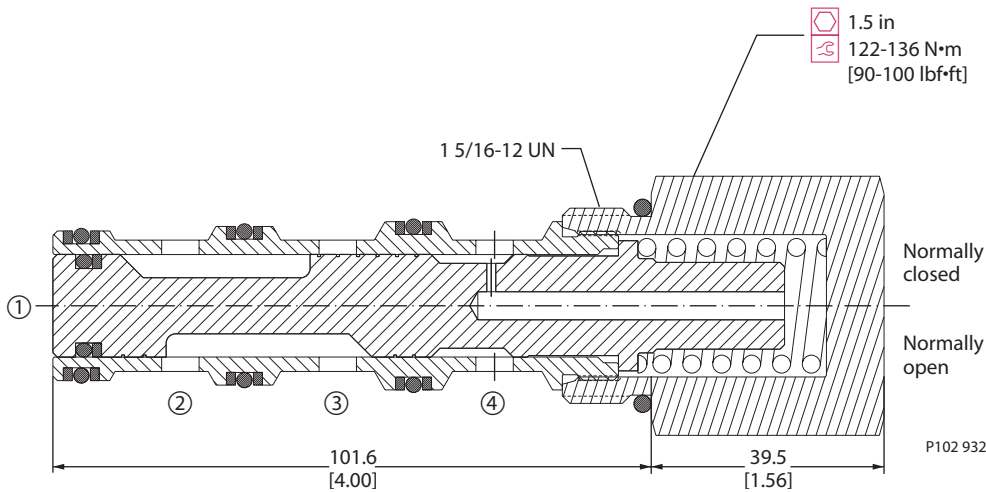
**Specifications**

Rated pressure	210 bar [3000 psi]
Rated flow at 7 bar [100 psi]	130 l/min [34 US gal/min]
Weight	0.61 kg [1.34 lb]
Cavity	CP16-4

**DIMENSIONS**

mm [in]

**Cross-sectional view**



**ORDERING INFORMATION**

CP712 - 8 - B - 16S - C - 080 - S1

**Seals**

B = Buna-N  
 V = Viton

**Housing and ports**

0 = No Housing  
 6B = AL, 3/4 BSP  
 8B = AL, 1 BSP  
 12S = AL, #12 SAE  
 16S = AL, #16 SAE  
 Other housings available

**Housing P/N**

No Housing  
 CP16-4-6B  
 CP16-4-8B  
 CP16-4-12S  
 CP16-4-16S

Seal kit  
 120025  
 120026

**Spool seal**

S3 = No seal  
 S4 = Seal included

**Shift pressure**

040 = 2.8 bar [40 psi]  
 080 = 5.5 bar [80 psi]  
 150 = 10.3 bar [150 psi]  
 shift pressure assumes no seals

**Configuration**

O = Normally open  
 C = Normally closed