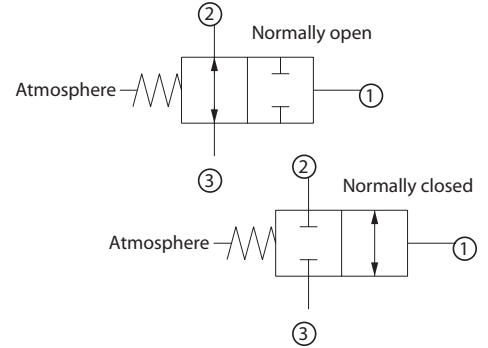


OPERATION

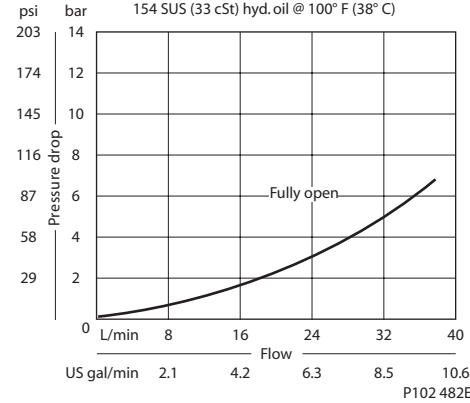
This valve is a hydraulically operated spool with atmospheric vent.

Schematic



SPECIFICATIONS

Theoretical performance



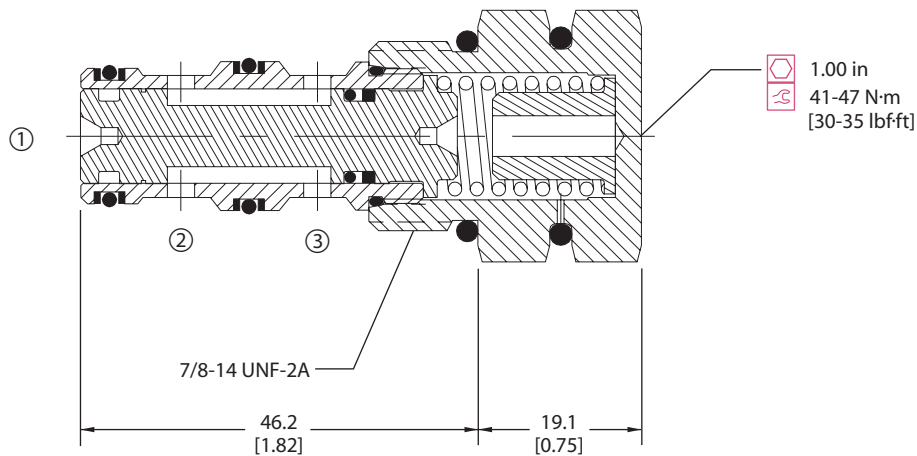
Specifications

Rated pressure	210 bar [3000 psi]
Rated flow at 7 bar [100 psi]	40 l/min [11 US gal/min]
Weight	0.13 kg [0.29 lb]
Cavity	SDC10-3

DIMENSIONS

mm [in]

Cross-sectional view



ORDERING INFORMATION

CP710 - 1 - B - 8S - C - 150 - S1

Seals

B = Buna-N
 V = Viton

Housing and ports

0 = No Housing
 SE3B = AL, 3/8 BSP
 SE4B = AL, 1/2 BSP
 6S = AL, #6 SAE
 8S = AL, #8 SAE
 Other housings available

Seal kit

120009
 120010

Housing P/N

No Housing
 SDC10-3-SE-3B
 SDC10-3-SE-4B
 CP10-3-6S
 CP10-3-8S

Spool seals

S1 = Seal at top of spool
 S2 = Seals at top and bottom of spool

Shift pressure

	bar	[psi]
050	= 3.5	[50]
080	= 5.5	[80]
150	= 10.3	[150]

Configuration

O = Normally open
 C = Normally closed