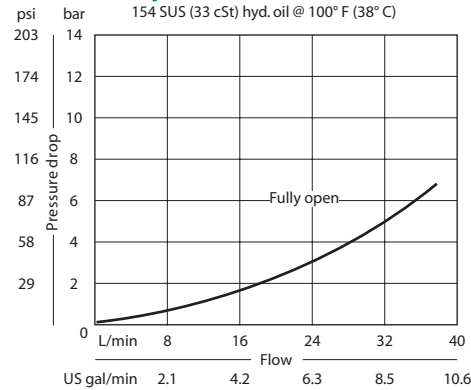


OPERATION

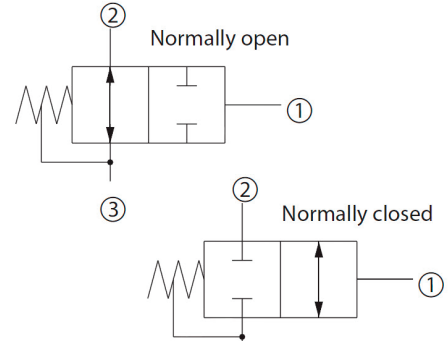
This valve is a 2-way hydraulically piloted spool.

SPECIFICATIONS

Theoretical performance



Schematic



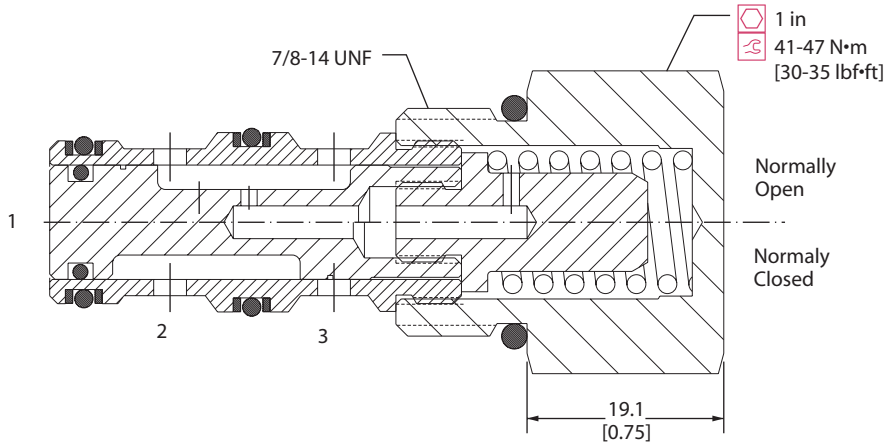
Specifications

Rated pressure	210 bar [3000 psi]
Rated flow at 7 bar [100 psi]	40 l/min [11 US gal/min]
Weight	0.13 kg [0.29 lb]
Cavity	SDC10-3

DIMENSIONS

mm [in]

Cross-sectional view



ORDERING INFORMATION

CP710 - 3 - B - 16S - C - 150 - S1

- Seals**
 - B = Buna-N
 - V = Viton
- Housing and ports**
 - 0 = No Housing
 - SE3B = AL, 3/8 BSP
 - SE4B = AL, 1/2 BSP
 - 6S = AL, #6 SAE
 - 8S = AL, #8 SAE
 - Other housings available
- Housing P/N**
 - No Housing
 - SDC10-3-SE-3B
 - SDC10-3-SE-4B
 - CP10-3
 - CP10-3
- Configuration**
 - O = Normally open
 - C = Normally closed
- Spool seal**
 - S3 = No seal
 - S4 = With seal
- Shift pressure**
 - bar [psi]
 - 150 = 10.3 [150]
 - shift pressure assumes no seal
- Seal kit**
 - 120009
 - 120010