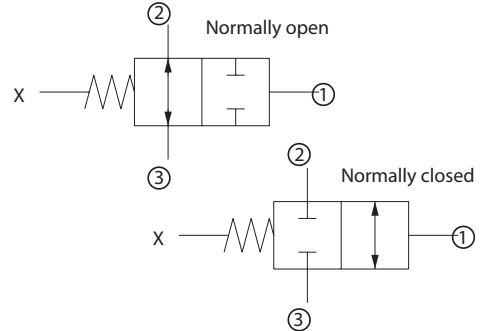


OPERATION

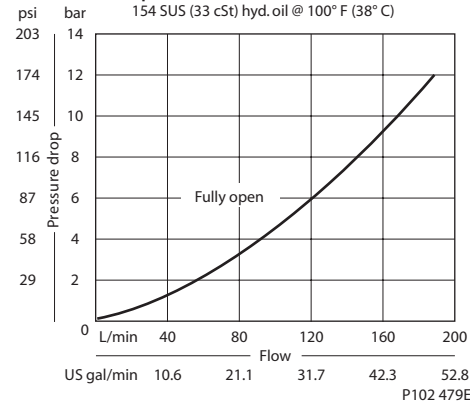
This valve is a 2-way double hydraulically piloted spool.

Schematic



SPECIFICATIONS

Theoretical performance



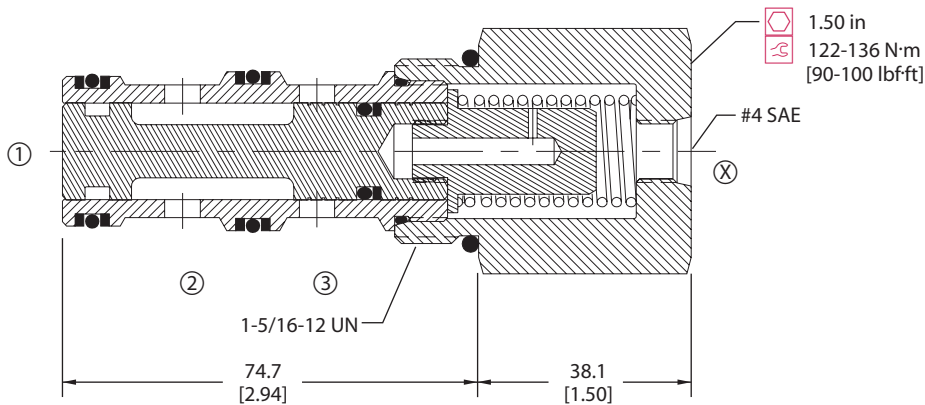
Specifications

Rated pressure	210 bar [3000 psi]
Rated flow at 7 bar [100 psi]	130 l/min [34 US gal/min]
Weight	0.57 kg [1.25 lb]
Cavity	SDC16-3

DIMENSIONS

mm [in]

Cross-sectional view



P102 949

ORDERING INFORMATION

CP712 - 2 - B - 16S - C - 080 - S1

Seals
 B = Buna-N
 V = Viton

Seal kit
 120202
 120203

Housing and ports
 0 = No Housing
 SE6B = AL, 3/4 BSP
 SE8B = AL, 1BSP
 12S = AL, #12 SAE
 16S = AL, #16 SAE
 Other housings available

Housing P/N
 No Housing
 SDC16-3-SE-6B
 SDC16-3-SE-8B
 CP16-3-12S
 CP16-3-16S

Spool seals
 S1 = Seal at top of spool
 S2 = Seals at top and bottom of spool
 S3 = No seals
 S4 = Seal at bottom of spool

Shift pressure
 bar [psi]
 040 = 2.8 [40]
 080 = 5.5 [80]
 150 = 10.3 [150]
 shift pressure assumes no seals

Configuration
 O = Normally open
 C = Normally closed

P102 007E