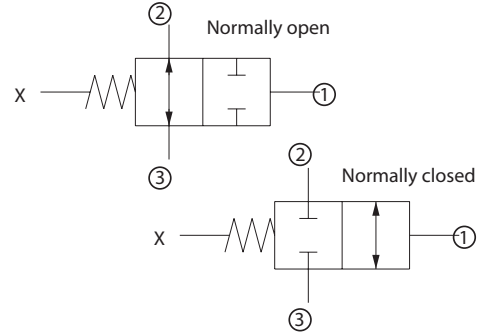


OPERATION

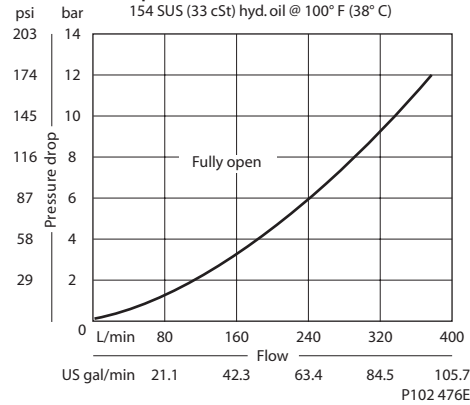
This valve is a 2-way double hydraulically piloted spool.

Schematic



SPECIFICATIONS

Theoretical performance



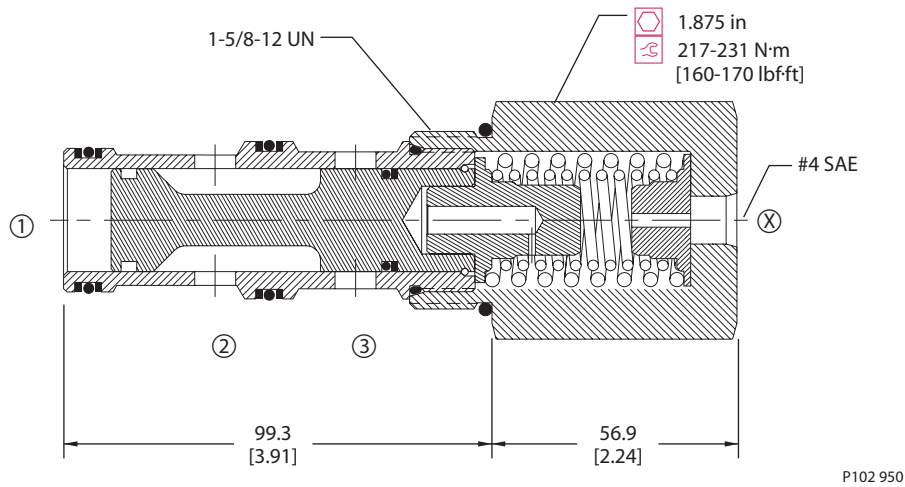
Specifications

Rated pressure	210 bar [3000 psi]
Rated flow at 7 bar [100 psi]	265 l/min [70 US gal/min]
Weight	1.26 kg [2.78 lb]
Cavity	SDC20-3

DIMENSIONS

mm [in]

Cross-sectional view



ORDERING INFORMATION

CP713 - 2 - B - 20S - C - 150 - S1

Seals
 B = Buna-N
 V = Viton

Housing and ports
 0 = No Housing
 8B = AL, 1 BSP
 10B = AL, 1-1/4 BSP
 16S = AL, #16 SAE
 20S = AL, #20 SAE
 Other housings available

Configuration
 0 = Normally open
 C = Normally closed

Seal kit
 120200
 120201

Housing P/N
 No Housing
 CP20-3-8B
 CP20-3-10B
 CP20-3-16S
 CP20-3-20S

Spool seals
 S1 = Seal at top of spool
 S2 = Seals at top and bottom of spool
 S3 = No seals
 S4 = Seal at bottom of spool

Shift pressure

	bar	[psi]
050	= 3.5	[50]
080	= 5.5	[80]
100	= 6.9	[100]
130	= 9.0	[130]
150	= 10.3	[150]

shift pressure assumes no seals