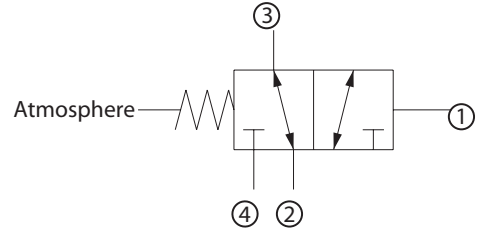


**OPERATION**

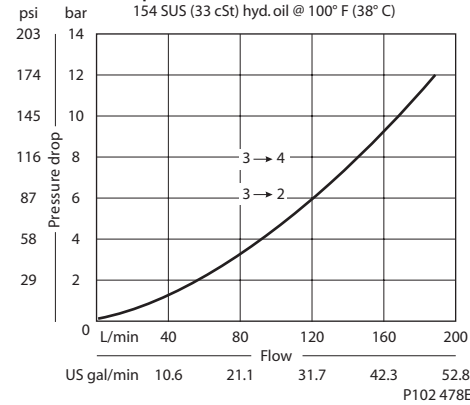
This valve is a 3-way hydraulically piloted spool with atmospheric vent.

Schematic



**SPECIFICATIONS**

**Theoretical performance**



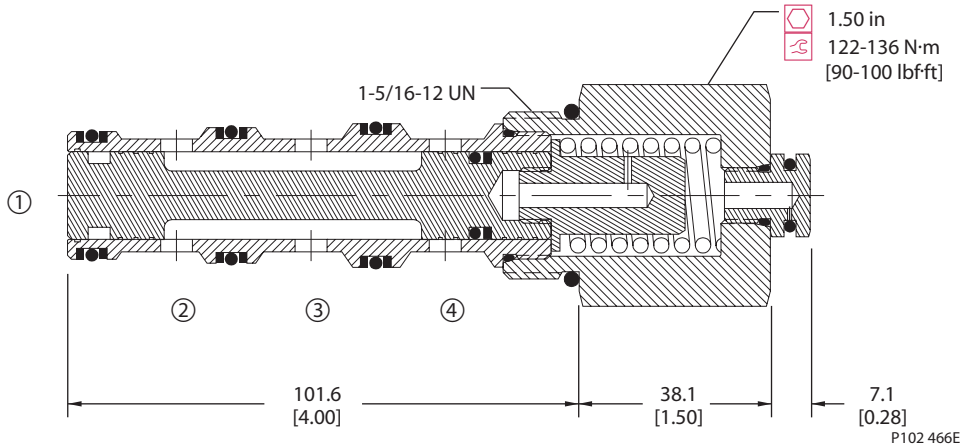
**Specifications**

Rated pressure	210 bar [3000 psi]
Rated flow at 7 bar [100 psi]	130 l/min [34 US gal/min]
Weight	0.61 kg [1.34 lb]
Cavity	CP16-4

**DIMENSIONS**

mm [in]

**Cross-sectional view**



**ORDERING INFORMATION**

CP722 - 1 - B - 16S - 150 - S1

**Seals**

B = Buna-N  
 V = Viton

**Housing and ports**

0 = No Housing  
 6B = AL, 3/4 BSP  
 8B = AL, 1 BSP  
 12S = AL, #12 SAE  
 16S = AL, #16 SAE  
 Other housings available

**Seal kit**

120025  
 120026

**Housing P/N**

No Housing  
 CP16-4-6B  
 CP16-4-8B  
 CP16-4-12S  
 CP16-4-16S

**Spool seals**

S1 = No seals  
 S2 = Seal at bottom of spool

**Shift pressure**

	bar	[psi]
040	= 2.8	[40]
080	= 5.5	[80]
150	= 10.3	[150]

shift pressure assumes no seals

P102 010E