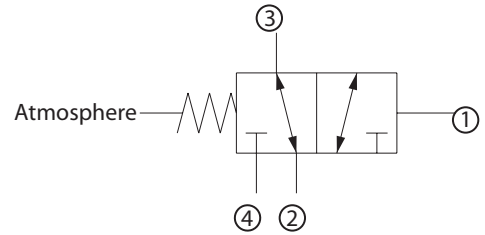


**OPERATION**

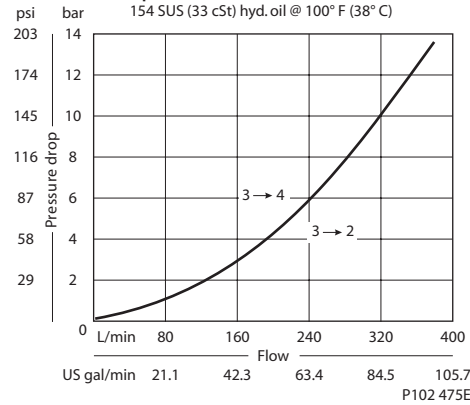
This valve is a 3-way hydraulically piloted spool with atmospheric vent.

Schematic



**SPECIFICATIONS**

**Theoretical performance**



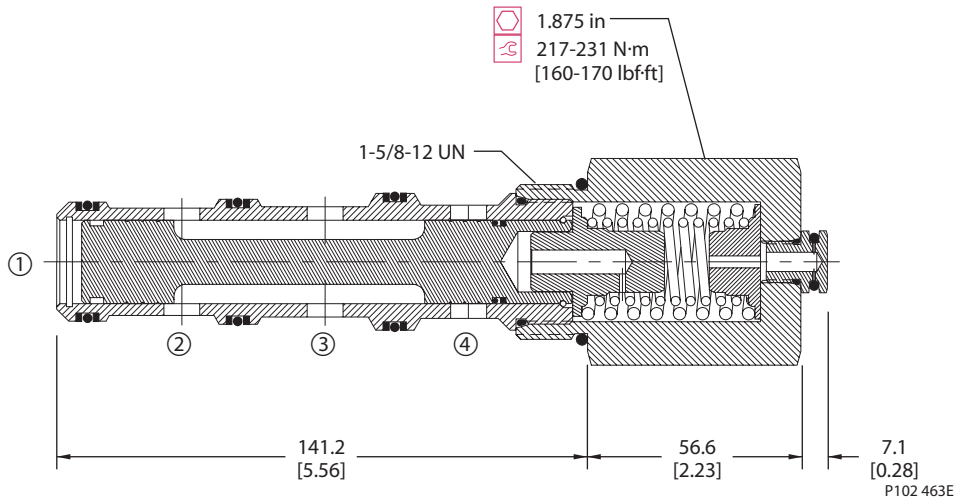
**Specifications**

Rated pressure	210 bar [3000 psi]
Rated flow at 7 bar [100 psi]	265 l/min [70 US gal/min]
Weight	1.22 kg [2.68 lb]
Cavity	SDC20-4

**DIMENSIONS**

mm [in]

**Cross-sectional view**



**ORDERING INFORMATION**

CP723 - 1 - B - 20S - 150 - S1

**Seals**

B = Buna-N  
 V = Viton

**Housing and ports**

0 = No Housing  
 8B = AL, 1 BSP  
 10B = AL, 1-1/4 BSP  
 16S = AL, #16 SAE  
 20S = AL, #20 SAE  
 Other housings available

**Housing P/N**

No Housing  
 CP20-4-8B  
 CP20-4-10B  
 CP20-4-16S  
 CP20-4-20S

**Spool seals**

S1 = Seal at top of spool (required)  
 S2 = Seals at both ends of spool

**Shift pressure**

	bar	[psi]
050	3.5	[50]
080	5.5	[80]
100	6.9	[100]
130	9.0	[130]
150	10.3	[150]

P102 015E