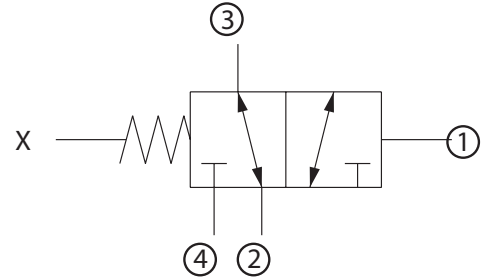


OPERATION

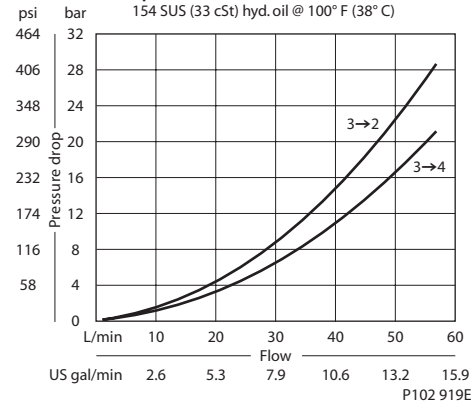
This valve is a 3-way double hydraulically piloted spool.

Schematic



SPECIFICATIONS

Theoretical performance



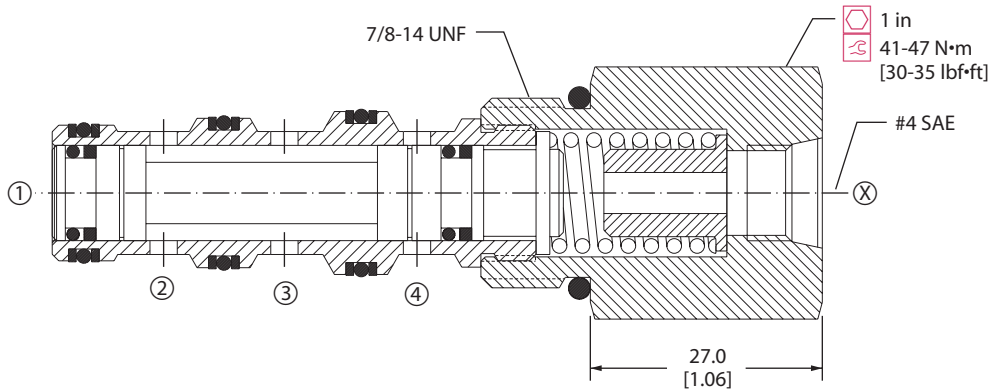
Specifications

Rated pressure	210 bar [3000 psi]
Rated flow at 7 bar [100 psi]	25 l/min [7 US gal/min]
Weight	0.15 kg [0.33 lb]
Cavity	SDC10-4

DIMENSIONS

mm [in]

Cross-sectional view



P102.758

ORDERING INFORMATION

CP720 - 2 - B - 4S - 150 - S1

Seals

B = Buna-N
 V = Viton

Housing and ports

0 = No Housing
 L3B = AL, 3/8 BSP
 L4B = AL, 1/2 BSP
 6S = AL, #6 SAE
 8S = AL, #8 SAE
 Other housings available

Seal kit
 120200
 120201

Housing P/N

No Housing
 SDC10-4-L-3B
 SDC10-4-L-4B
 CP10-4-6S
 CP10-4-8S

Spool seals

S1=Seal at top of spool
 S2=Seals at both ends of spool
 S3= No seal
 S4= Seals at bottom of spool

Shift pressure

	bar	[psi]
040	2.8	[40]
050	3.5	[50]
080	5.5	[80]
125	8.6	[125]
150	10.3	[150]

shift pressure assumes no seals