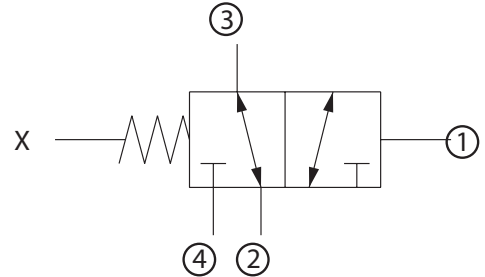


OPERATION

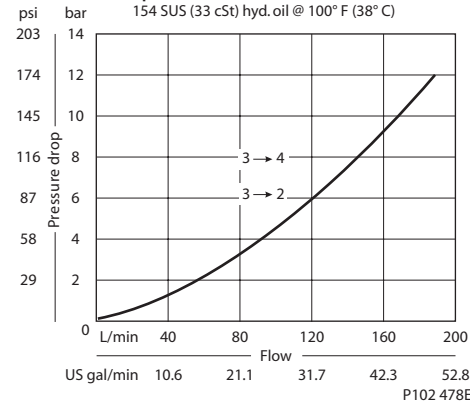
This valve is a 3-way double hydraulically piloted spool.

Schematic



SPECIFICATIONS

Theoretical performance



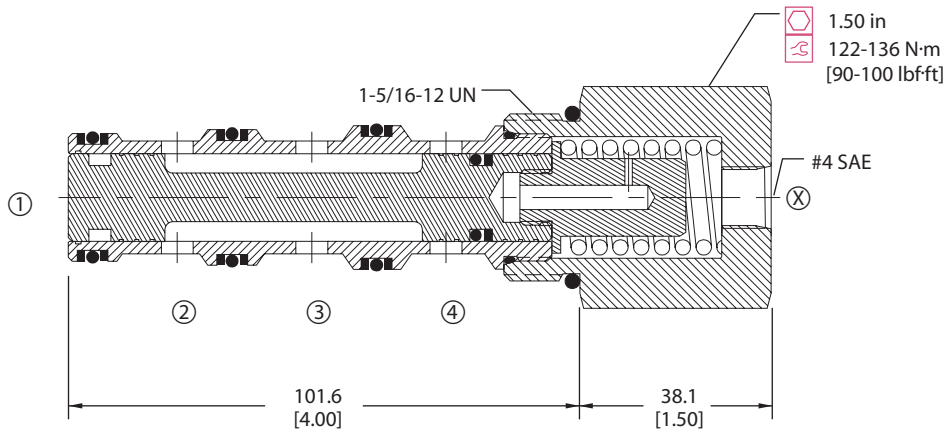
Specifications

Rated pressure	210 bar [3000 psi]
Rated flow at 7 bar [100 psi]	130 l/min [34 US gal/min]
Weight	0.61 kg [1.34 lb]
Cavity	CP16-4

DIMENSIONS

mm [in]

Cross-sectional view



P102 951

ORDERING INFORMATION

CP722 - 2 - B - 16S - 150 - S1

Seals

B = Buna-N
 V = Viton

Seal kit
 120025
 120026

Housing and ports

0 = No Housing
 6B = AL, 3/4 BSP
 8B = AL, 1 BSP
 12S = AL, #12 SAE
 16S = AL, #16 SAE
 Other housings available

Housing P/N

No Housing
 CP16-4-6B
 CP16-4-8B
 CP16-4-12S
 CP16-4-16S

Spool seals

S1 = Seal at top of spool
 S2 = Seals at both ends of spool
 S3 = No seals
 S4 = Seal at bottom of spool

Shift pressure

bar [psi]

040 = 2.8 [40]
 080 = 5.5 [80]
 150 = 10.3 [150]

shift pressure assumes no seals