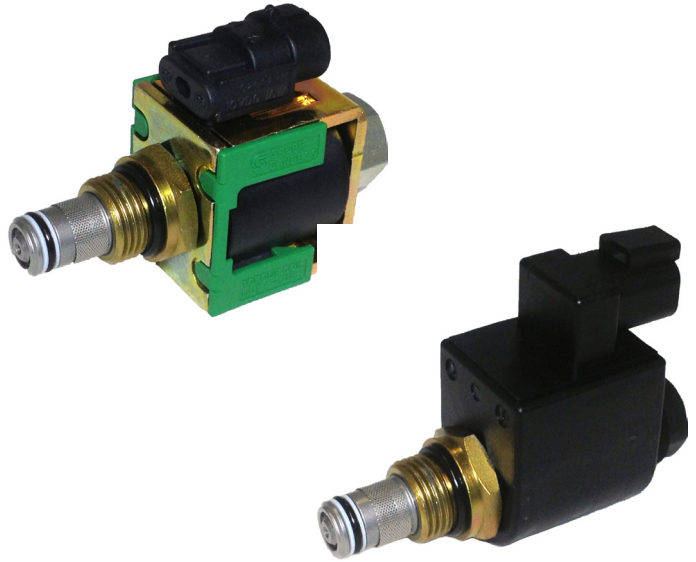


OPERATION

This is a normally-closed, double-blocking poppet-type, 2 position, 08-size solenoid valve. When de-energized, the SVP08-CDB blocks flow in both directions. When energized, the valve's poppet lifts and allows flow from port 2 to port 1, and from port 1 to port 2. This valve comes standard with a push-pin type manual override.

APPLICATIONS

The SVP08-CDB is designed for low leakage applications and can be used to control the advance and retract of single acting and double acting cylinders. The valve can also be used to lock pressure in a group of cylinders.



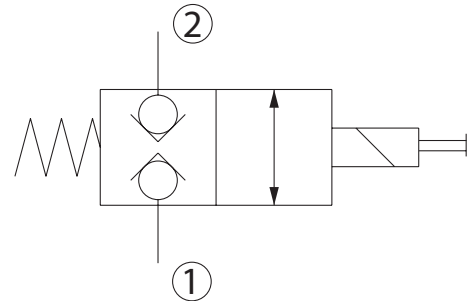
Shown with filter option

SPECIFICATIONS

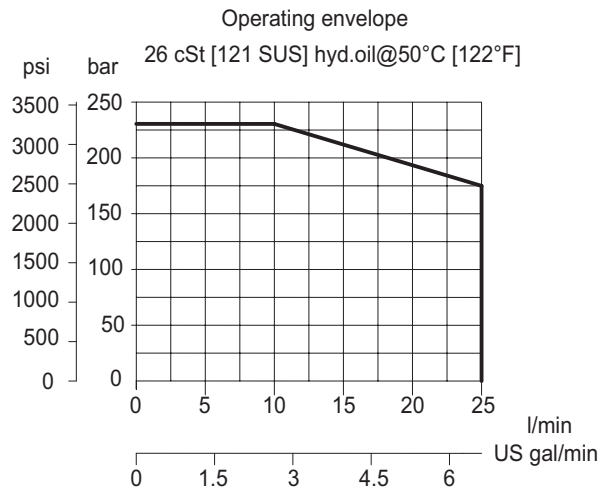
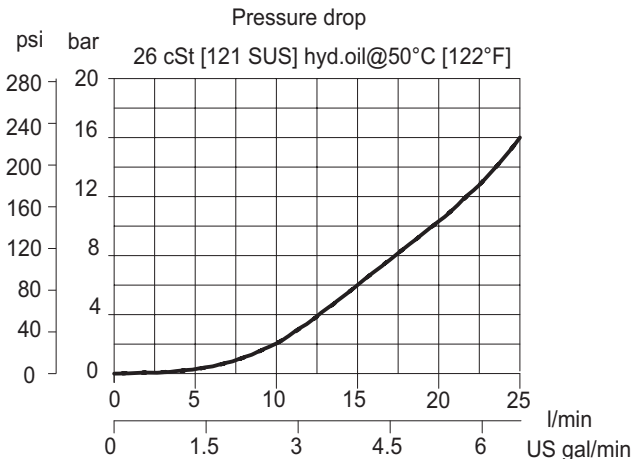
Rated pressure*	230 bar [3300 psi]
Rated flow at 7 bar [100 psi]	16 l/min [4 US gal/min]
Leakage	6 drops/min @ Rated pressure
Weight	0.32 kg [0.71 lb]
Cavity	SDC08-2
Standard Coil	M13 20 Watt
Robust Coil	R13 16 Watt Robust Nut P/N 173800539 (no coil O-rings needed)

* Rated Pressure based on NFPA fatigue test standards (at 1 Million Cycles).

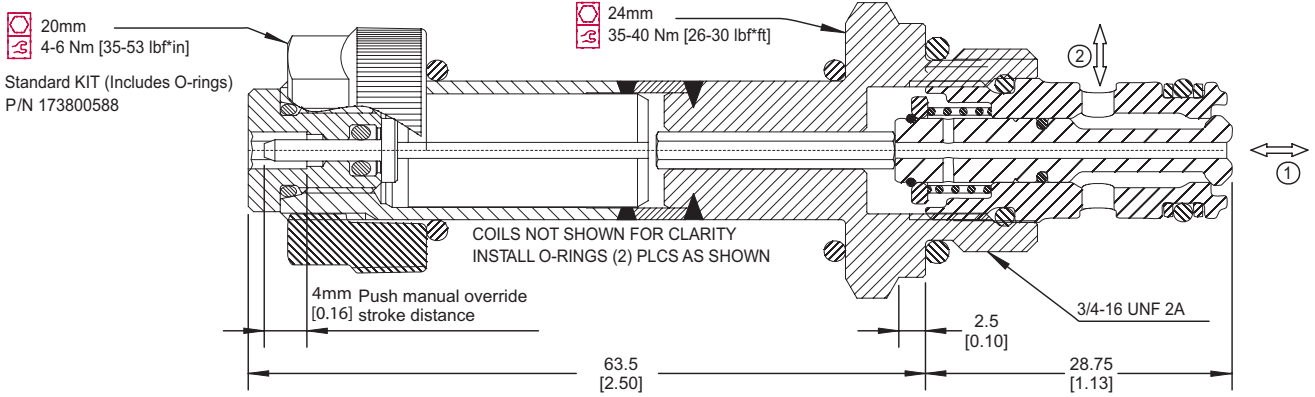
SCHEMATIC



PERFORMANCE CURVES



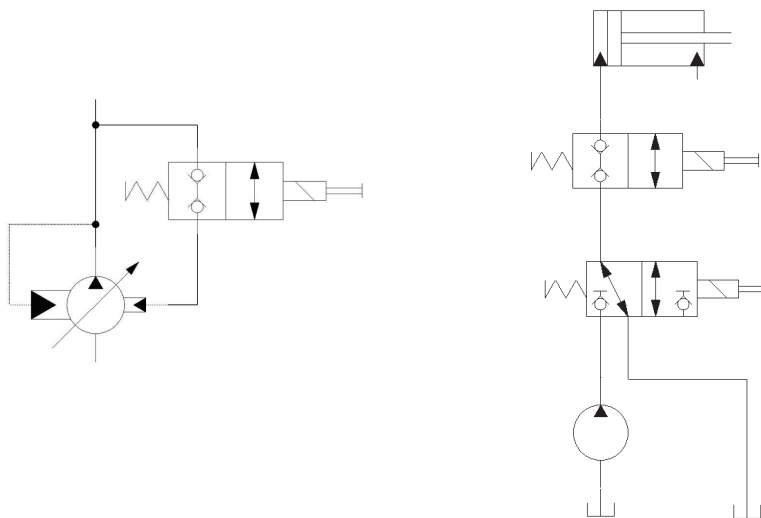
DIMENSIONS



EXAMPLE CIRCUITS

To Circuit On Off for Pump

Single Acting Cylinder



ORDERING INFORMATION

SVP08 -CDB -12D- DE - PB - B - F - 00

Solenoid Valve, Poppet
 Type, 08 Size Cavity

CDB:
 Normally Closed, Double Blocking,
 Push Type

Filter:
 No Filter
 300 µm

Omit
 F

Code	Body and Ports	Body Nomenclature
00	Cartridge Only	No Body
4S	#4 SAE, AL	CP08-2-4S
6S	#6 SAE, AL	CP08-2-6S
S6S	#6 SAE, Steel	CP08-2-S6S
DG2B	1/4 BSP, AL	SDC08-2DG-2B
DG3B	3/8 BSP, AL	SDC08-2DG-3B
S3B	3/8 BSP, Steel	CP08-2-S3B

Seal Code	Material	Seal Kits
B	Buna-N	354001619
V	Viton	354001719

Code	Manual Override
Omit	Push Pin (Standard)
PB	Push Button
SPS	Screw Style (Push-Type Valve)

Coil Voltage	Standard Coil Code	Robust Coil Code
No Coil, with nut*	00	R00
10 VDC	10D	R10D
12 VDC	12D	R12D
20 VDC	20D	R20D
24 VDC	24D	R24D
110 VAC**	110A	-
220 VAC**	220A	-

Coil Termination	Standard Coil Code	IP Rating	Robust Coil Code	IP Rating
No Coil	00	-	00	-
Amp Junior	AJ	IP67	-	-
Amp Junior with Diode	AJD	IP67	-	-
AMP SuperSeal 1.5	AS	IP67	AS	IP69K
AMP SuperSeal with Diode	ASD	IP67	ASDB	IP69K
Deutsch	DE	IP67	DE	IP69K
Deutsch with Diode	DED	IP67	DEDB	IP69K
Flying Leads	FL	IP65	FL	IP69K
Flying Leads with Diode	FLD	IP65	FLDB	IP69K
DIN 43650	DN	IP65	-	-
Metri-Pack 150 Type 2	-	-	M3	IP69K
Metri-Pack 150 with Diode	-	-	M3DB	IP69K

* Standard coil – plastic nut and O-rings
 R-coil – steel nut P/N 173800539
 (no coil O-rings needed)

** DIN only - external rectifier needed