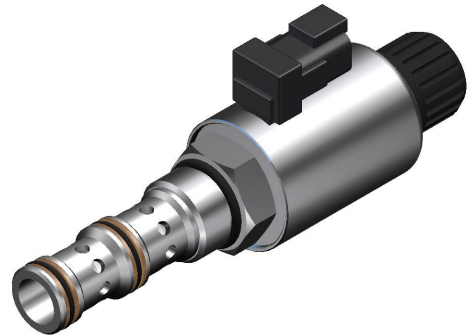


OPERATION

Solenoid Valve, Poppet Type, 2-Position, 3-Way, Pull-Type, 12-size. When de-energized, the CP521-21 allows flow from port 1 to port 2, while port 3 is blocked. When energized, flow is allowed from port 3 to port 1, while port 2 is blocked. Follow the “Operating Envelope” limits to ensure shifting of the valve during operation. This valve comes standard with a one-direction, push-pin manual override.

APPLICATIONS

These spool-type valves are commonly used in a selector circuit, or as an on/off pilot control for a directional spool valve. Solenoid spool-type valves are direct acting and respond quickly to coil voltage input. Spool valves will have some leakage due to spool clearance, so if your application requires no leakage at the working port(s), apply a low leakage poppet valve(s), like PO check valve, counterbalance valve, etc., in addition to this solenoid valve. This valve can operate with an inlet pressure of 315 bar for 400,000 cycles. In case of inlet from port 2 this value can be increased to 600,000 cycles.

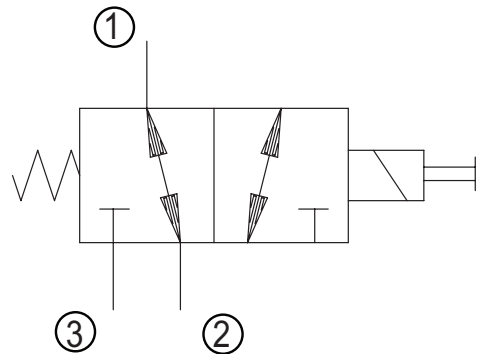


SPECIFICATIONS

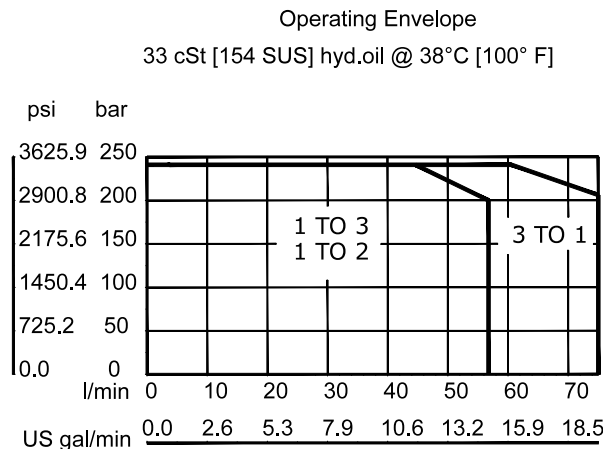
Rated pressure*	240 bar [3500 psi]
Rated flow at 7 bar [100 psi]	60 l/min [16 US gal/min]
Weight	0.80 kg [1.76 lb]
Cavity	CP12-3
Robust Coil (Standard)	D14E 30 Watt Robust Nut P/N 321567

* Rated Pressure based on NFPA fatigue test standards (at 1 Million Cycles).

SCHEMATIC

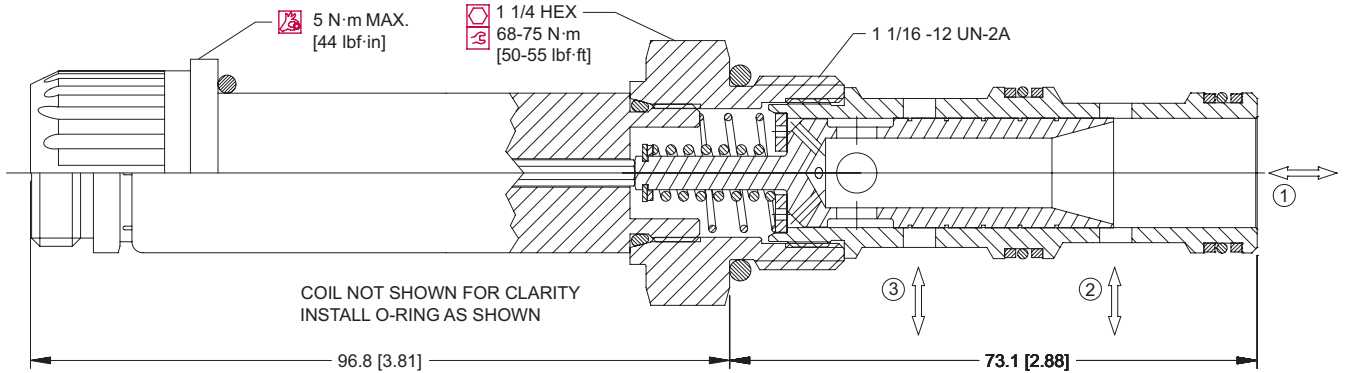


PERFORMANCE CURVES



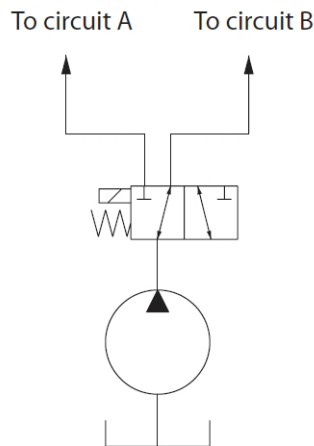
SV - Solenoid Valves
 CP521-21

DIMENSIONS



EXAMPLE CIRCUITS

Selector circuit



ORDERING INFORMATION

CP521-21-B-10S-24D-S

<p>Seals</p> <p>B = Buna-N V = Viton</p>	<p>Seal kit 120053 120052</p>	<p>Termination</p> <p>0 = No connector S = Spade L = Lead wire H = DIN 43650 M2 = Metripak 150 Type 1 DE = Deutsch AJ = Amp Junior</p>
<p>Housing and ports</p> <p>0 = No Housing 4B = AL, 1/2 BSP 6B = AL, 3/4 BSP 10S = AL, #10 SAE 12S = AL, #12 SAE</p>	<p>Housing P/N</p> <p>No Housing CP12-3-4B CP12-3-6B CP12-3-10S CP12-3-12S</p>	<p>Coil Voltage</p> <p>000 = No coil 12D = 12 VDC 24D = 24 VDC</p>