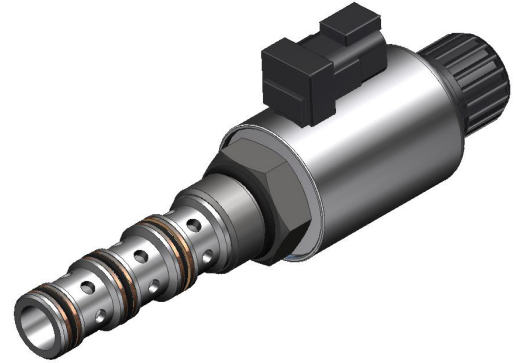


OPERATION

This is a solenoid valve, spool-type, 4-way, 2-position, 12-size. When de-energized, the CP531-21 allows flow from port 3 to port 4, and from port 2 to port 1. When energized, flow is allowed from port 3 to port 2, and from port 4 to port 1. Follow the "Operating Envelope" limits to ensure shifting of the valve during operation.

APPLICATIONS

These valves are primarily used in mobile and industrial applications for controlling the direction of the flow in a circuit, like motors or cylinders. Solenoid spool-type valves are direct acting and respond quickly to coil voltage input. Spool valves will have some leakage due to spool clearance, so if your application requires no leakage at the working port(s), apply a low leakage poppet valve(s), like PO check valve, counterbalance valve, etc., in addition to this solenoid valve.

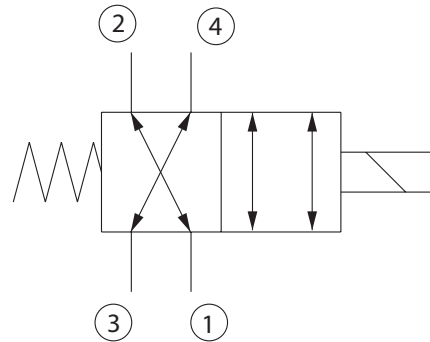


SPECIFICATIONS

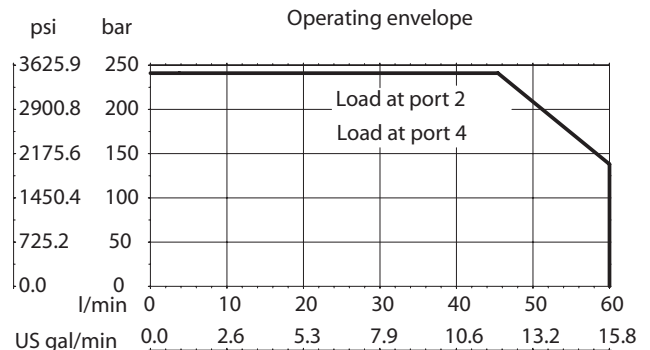
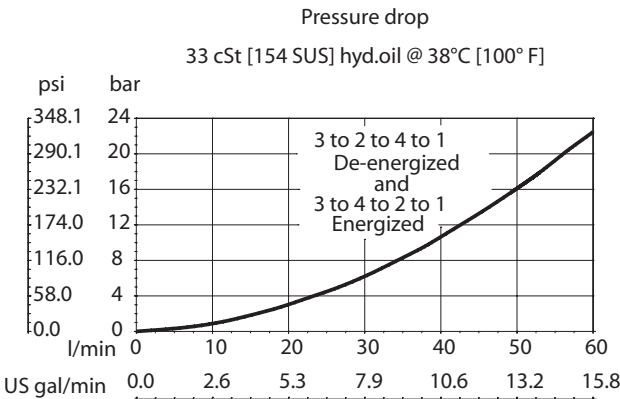
Rated pressure*	240 bar [3500 psi]*
Rated flow at 7 bar [100 psi]	32 l/min [8 US gal/min]
Weight	0.82 kg [1.81 lb]
Cavity	SDC12-4
Robust Coil (Standard)	D14E 30 Watt Robust Nut P/N 321567

* Rated Pressure based on NFPA fatigue test standards (at 1 Million Cycles).

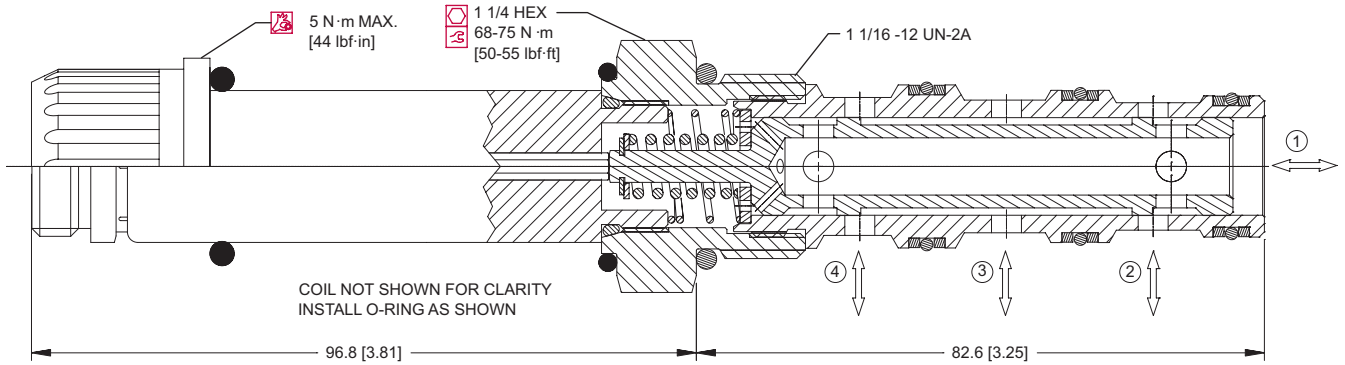
SCHEMATIC



PERFORMANCE CURVES

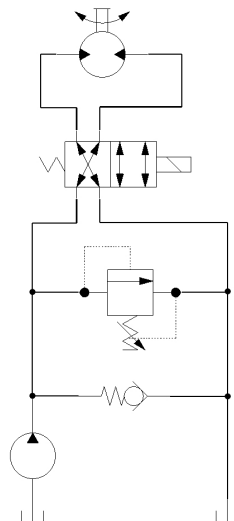


DIMENSIONS



EXAMPLE CIRCUITS

Bi-directional Motor



ORDERING INFORMATION

CP531-21-B-10S-24D-S

<p>Seals</p> <p>B = Buna-N V = Viton</p>	<p>Seal kit</p> <p>120262 120263</p>	<p>Housing P/N</p> <p>No Housing CP12-4-3B CP12-4-4B CP12-4-10S CP12-4-12S</p>	<p>Termination</p> <p>0 = No connector S = Spade L = Lead wire H = DIN 43650 M2 = Metripak 150, Type 1 DE = Deutsch AJ = Amp Junior</p>	<p>Coil Voltage</p> <p>000 = No coil 12D = 12 VDC 24D = 24 VDC</p>
--	--	---	--	---

Housing and ports

0 = No Housing
 3B = AL, 3/8 BSP
 4B = AL, 1/2 BSP
 10S = AL, #10 SAE
 12S = AL, #12 SAE

Other housings available

SV - Solenoid Valves
CP531-21