



**OPERATION**

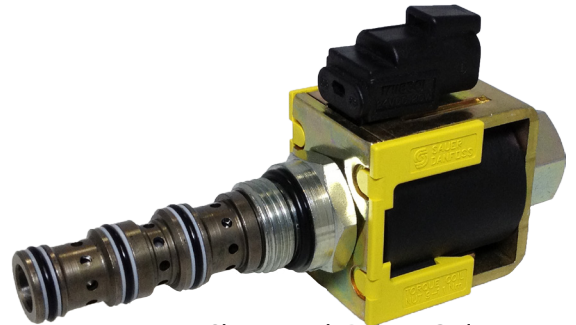
This is a direct acting, 2-position, 4-way spool type solenoid valve. When de-energized, the SV10-24-06 blocks flow to all ports. When energized, the spool shifts to allow flow from port 2 and 4 to port 1, while blocking flow to port 3. Follow the "Operating Envelope" limits to ensure shifting of the valve during operation. This valve uses the SDC10-4 cavity.

**APPLICATIONS**

Common applications include switching a motor or cylinder between locked and free floating mode, or for fourth position float. Port 3 is closed independently of spool position. An external float can be created with this valve, without the need for an external "T" and hose. This valve can operate with an inlet pressure of 315 bar on port 3 for 400,000 cycles. Port 1 may be pressurized to 210 bar, but is not intended as inlet (Tank only).

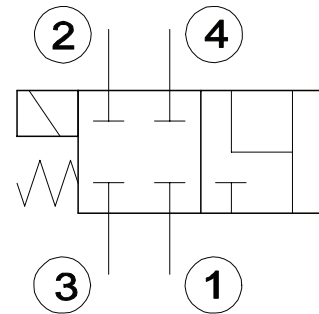


Shown with Standard Coil, Deutsch Connectors



Shown with Robust Coil, Deutsch Connector

**SCHEMATIC**



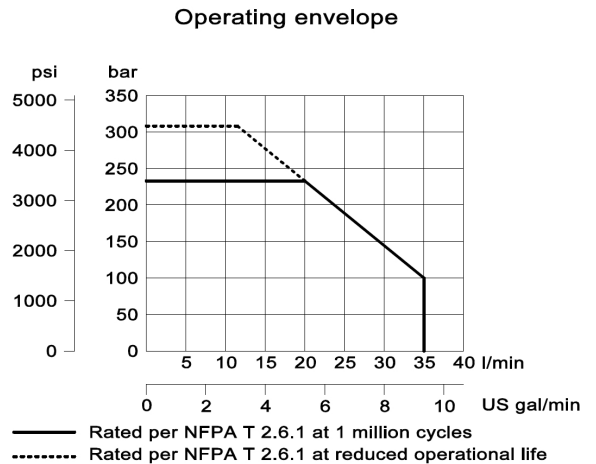
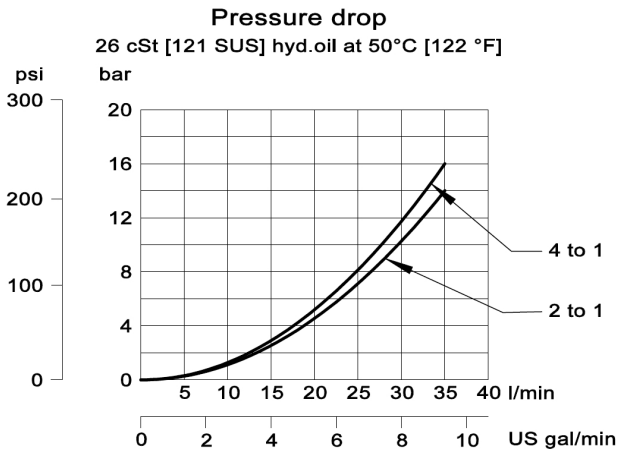
**SPECIFICATIONS**

<b>Rated Pressure*</b>	230 bar [3330 psi]**
<b>Rated Flow at 10 bar (145 psi)</b>	23 l/min [6 US gal/min]
<b>Weight including coil</b>	0.45 kg [1.0 lbs]
<b>Cavity</b>	SDC10-4
<b>Standard Coil</b>	M16 26W
<b>Robust Coil</b>	R16 20W Robust nut P/N 173804910 (No coil O-ring needed)
<b>Diode (Optional)</b>	Standard Coil - Unidirectional Robust Coil - Bidirectional

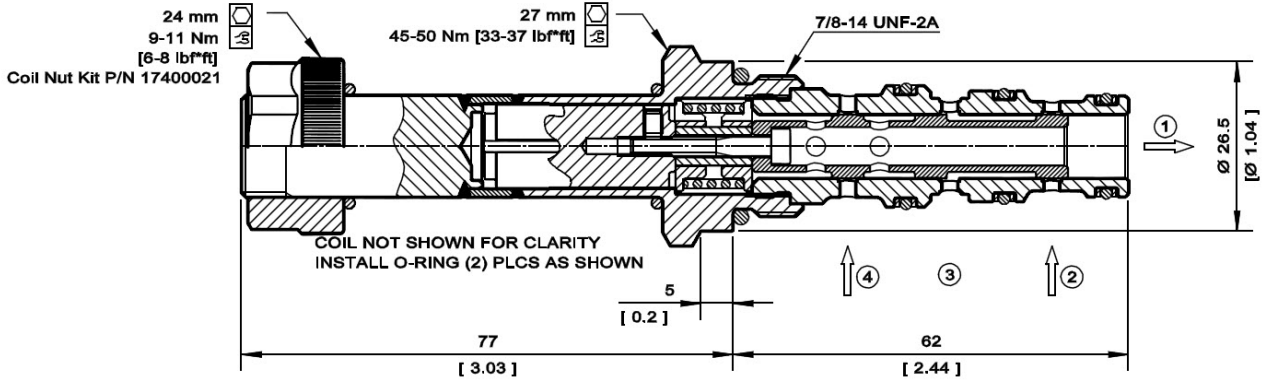
\* Rated Pressure based on NFPA fatigue test standards (at 1 Million Cycles).

\*\* See 315 bar pressure rating note on page 10.

**PERFORMANCE CURVES**

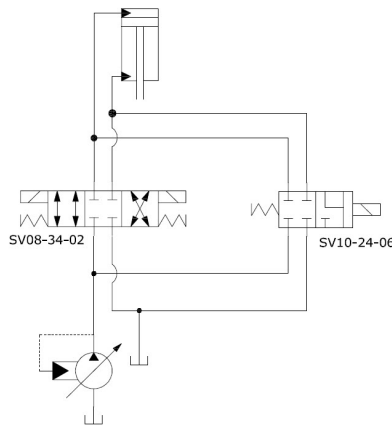


**DIMENSIONS**



**EXAMPLE CIRCUITS**

Fourth Position Float



SV - Solenoid Valves  
 SV10-24-06

**ORDERING INFORMATION**

**SV10 - 24 - 06 - 12D - DE - B - 00**

Solenoid Valve, 10 Size  
 Cavity

24:  
 2 Position, 4 Way, Spool Type

06:  
 Schematic: Pull Type

Code	Body and Ports	Body Nomenclature
00	Cartridge Only	No Body
6S	#6 SAE, AL	CP10-4-6S
8S	#8 SAE, AL	CP10-4-8S
S8S	#8 SAE, Steel	CP10-4-S8S
L3B	3/8 BSP, AL	SDC10-4-L3B
L4B	1/2 BSP, AL	SDC10-4-L4B
S4B	1/2 BSP, Steel	CP10-4-S4B

Seal Code	Material	Seal Kits
B	Buna-N	354001919
V	Viton	354002019

Coil Voltage	Standard Coil Code	Robust Coil Code
No Coil, with nut*	00	R00
10 VDC	10D	R10D
12 VDC	12D	R12D
20 VDC	20D	R20D
24 VDC	24D	R24D
110 VAC**	110A	-
220 VAC**	220A	-

\* Standard coil – plastic nut and O-rings  
 R-coil – steel nut P/N 173804910  
 (no coil O-rings needed)  
 \*\* DIN only - external rectifier needed

Coil Termination	Standard Coil Code	IP Rating	Robust Coil Code	IP Rating
No Coil	00	-	00	-
Amp Junior	AJ	IP67	-	-
Amp Junior with Diode	AJD	IP67	-	-
AMP SuperSeal 1.5	A5	IP67	A5	IP69K
AMP SuperSeal with Diode	ASD	IP67	ASDB	IP69K
Deutsch	DE	IP67	DE	IP69K
Deutsch with Diode	DED	IP67	DEDB	IP69K
Flying Leads	FL	IP65	FL	IP69K
Flying Leads with Diode	FLD	IP65	FLDB	IP69K
DIN 43650	DN	IP65	-	-
Metri-Pack 150 Type 2	-	-	M3	IP69K
Metri-Pack 150 with Diode	-	-	M3DB	IP69K