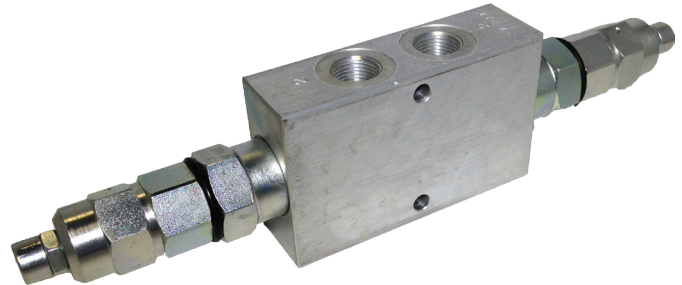


OPERATION

The VCB06-CN-DL is a dual counterbalance HIC, 6-size metric, nose to nose design with atmospheric vent. This catalog HIC allows free flow from the V ports to the C ports and blocks flow in the reverse direction until the relief setting is reached, or until adequate pilot pressure has been applied to the opposite V port.



APPLICATIONS

Atmospherically vented HIC's are applied when it is not practical to connect a separate vent line to the tank. Use dual counterbalance HIC's for controlling loads in bidirectional motion such as wheel motor applications or for cylinders going over center.

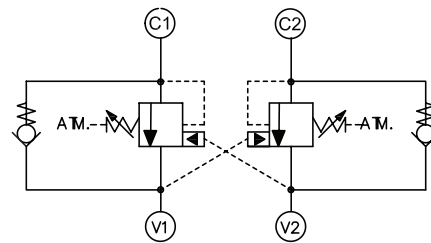
CB - Counterbalance Valves

SPECIFICATIONS

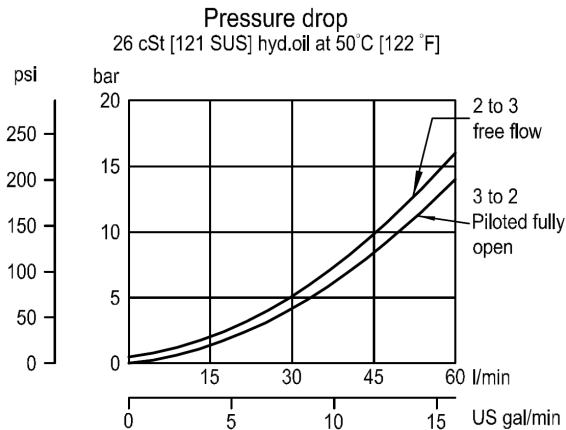
Rated pressure	350 bar [5075 psi]*
Rated flow at 22 bar [319 psi]	60 l/min [16 US gal/min]
Leakage	10 drops/min @ at 70% of crack pressure
Weight	0.96 kg [2.15 lb]
Pilot ratio	4.1:1, 7.1:1
Cavity	CIB

* 350 bar with steel housing
 210 bar with aluminum housing

SCHEMATIC

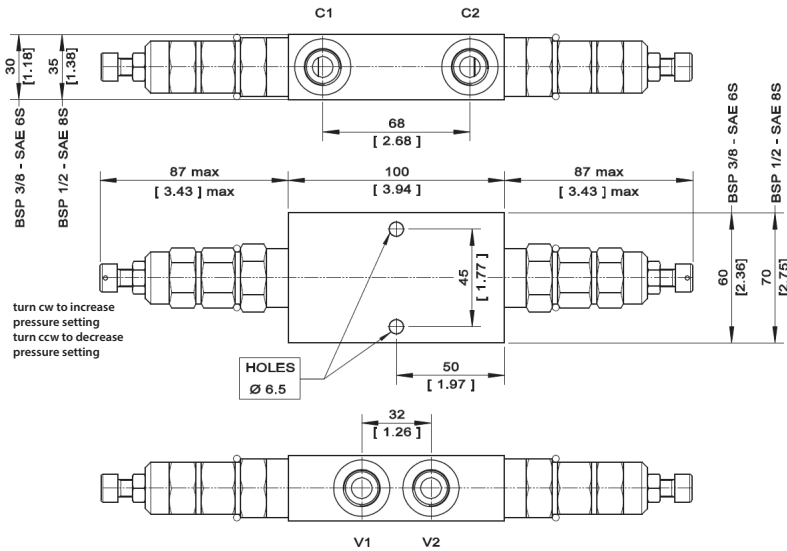


PERFORMANCE



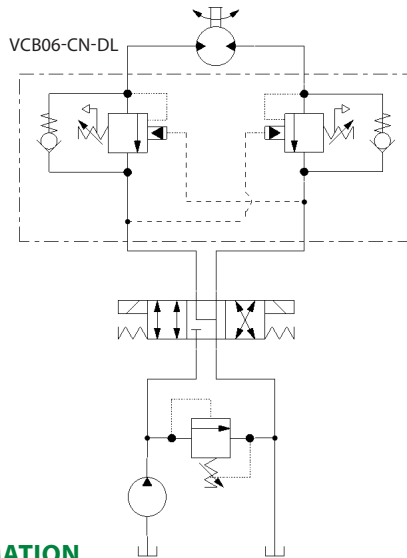
DIMENSIONS

mm [in]

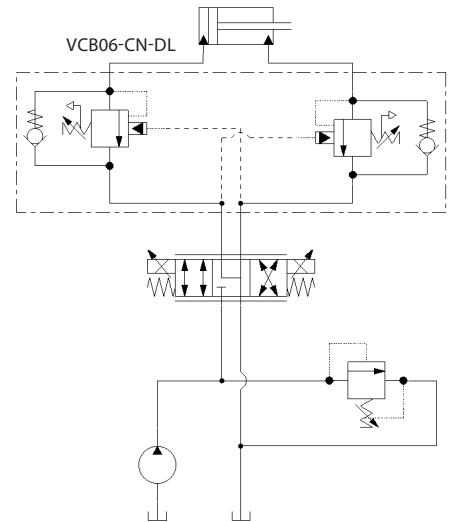


EXAMPLE CIRCUITS

Bi-directional Motion Control



Counterbalance - Double Actuator



ORDERING INFORMATION

VCB06 - CN - 2 - A - DL4B - B XXX

VCB06-CN:
 Dual Counterbalance Valve,
 Pilot Port 1, 6 size (metric),
 internal adjustment,
 atmospheric vent

Code	Pressure Range bar [psi]
1	25-140 (363-2030)
2	70 - 210 (1015-3045)
3	105 - 350 (1523-5075)

Code	Pilot Ratio
A	7.1:1
B	4.1:1

Code	Seal Material
B	Buna-N
V	Viton

Housing & Ports	Housing P/N
DL3B: AL, 3/8 BSP	NCS06-3-DL3B
DL4B: AL, 1/2 BSP	NCS06-3-DL4B
DL6S: AL, #6 SAE	NCS06-3-DL6S
DL8S: AL, #8 SAE	NCS06-3-DL8S

Crack Pressure Setting [in bar]

XXX: No factory setting / no stamping

For customer specified settings, enter value in bar (Example 70 bar = 70; 125 bar = 125 etc.)