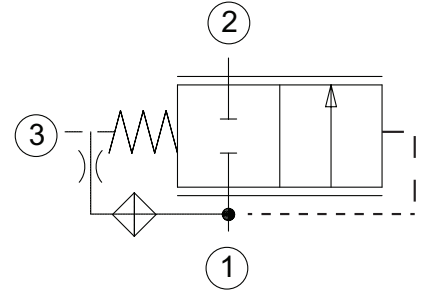


OPERATION

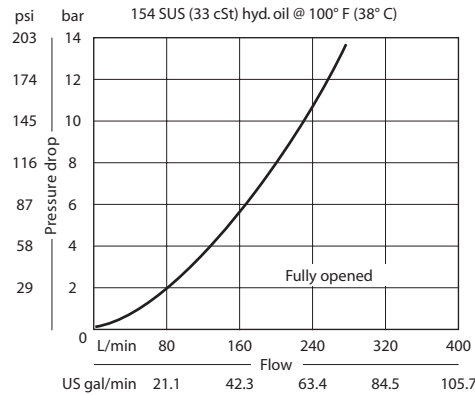
This is a spool-type logic element with multi-function potential when used with other pressure, flow, or direction control devices.

Schematic



SPECIFICATIONS

Theoretical performance



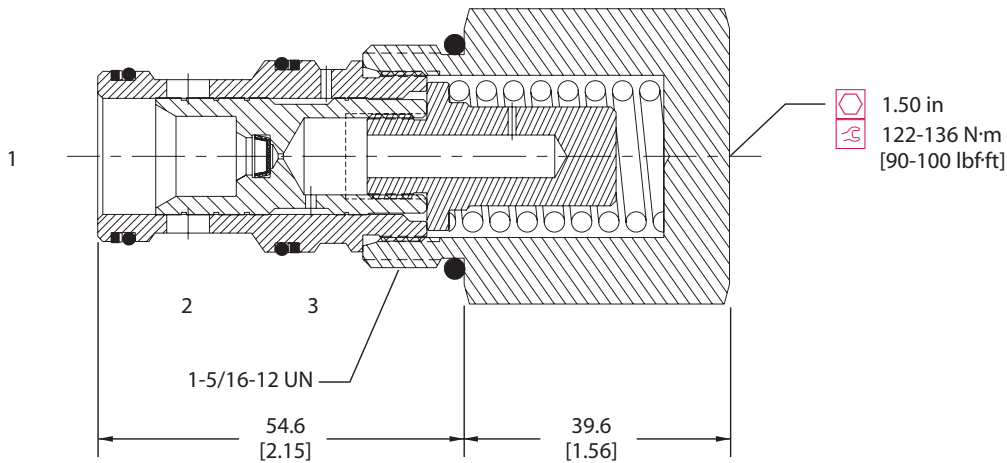
Specifications

Rated pressure	210 bar [3000 psi]
Rated flow at 7 bar [100 psi]	190 l/min [50 US gal/min]
Weight	0.38 kg [0.83 lb]
Cavity	SDC16-3S

DIMENSIONS

mm [in]

Cross-sectional view



ORDERING INFORMATION

CP702 - 2 - B - 16S - 080

Seals

B = Buna-N
 V = Viton

Seal kit
 120033
 120034

Housing and ports

0 = No housing
 6B = AL, 3/4 BSP
 8B = AL, 1 BSP
 12S = AL, #12 SAE
 16S = AL, #16 SAE
 Other housings available

Housing P/N Pilot port
 No housing
 CP16-3S-6B/2B = 1/4 BSP
 CP16-3S-8B/2B = 1/4 BSP
 CP16-3S-12S/4S = #4 SAE
 CP16-3S-12S/4S = #4 SAE

Differential Control Pressure

bar	[psi]
040	= 2.8 [40]
080	= 5.5 [80]
110	= 7.6 [110]
150	= 10.3 [150]
170	= 11.7 [170]