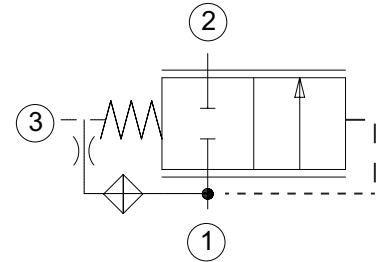


OPERATION

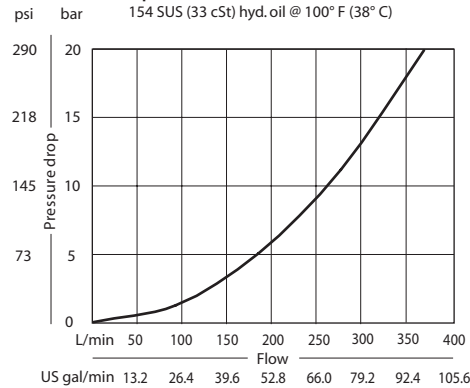
This is a spool-type logic element with multi-function potential when used with other pressure, flow, or direction control devices.

Schematic



SPECIFICATIONS

Theoretical performance



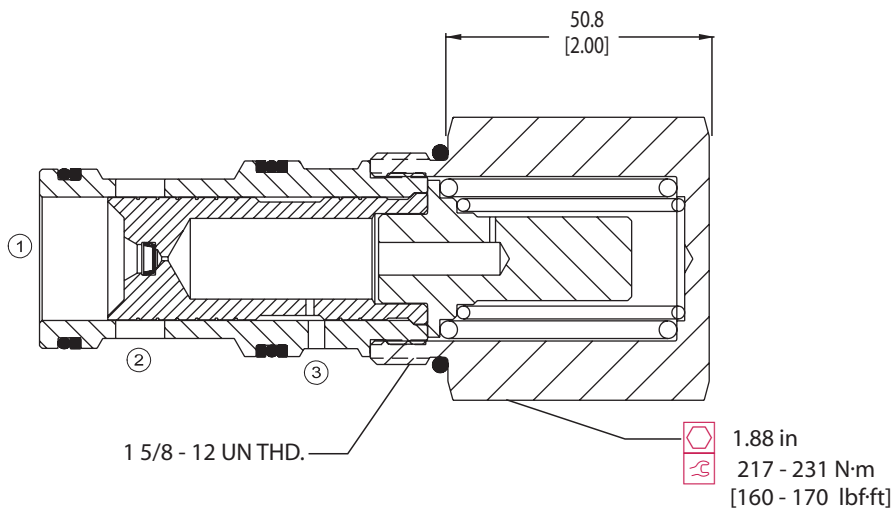
Specifications

Rated pressure	210 bar [3000 psi]
Rated flow at 7 bar [100 psi]	320 l/min [85 US gal/min]
Weight	1.18 kg [2.60 lb]
Cavity	CP20-3S

DIMENSIONS

mm [in]

Cross-sectional view



ORDERING INFORMATION

CP703 - 2 - B - 16S - 080

Seals

B = Buna-N
 V = Viton

Seal kit
 120380
 120381

Housing and ports

0 = No housing
 8B = AL, 1 BSP
 10B = AL, 1-1/4 BSP
 16S = AL, #16 SAE
 20S = AL, #20 SAE
 other housings available

Housing P/N

No housing
 CP20-3S-8B/2B = 1/4 BSP
 CP20-3S-10B/2B = 1/4 BSP
 CP20-3S-16S/4S = #4 SAE
 CP20-3S-20S/4S = #4 SAE

Pilot port

Differential control pressure

	bar	[psi]
050	3.4	[50]
080	5.5	[80]
100	6.9	[100]
130	9.0	[130]
150	10.3	[150]