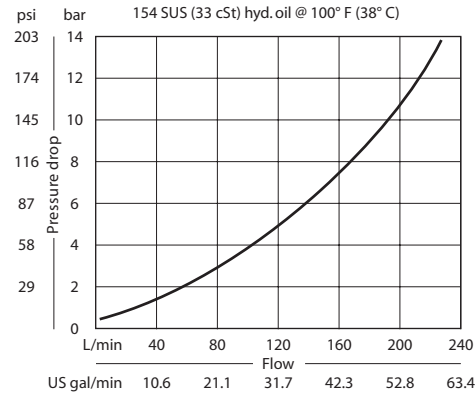


OPERATION

This valve allows free flow from 2 to 1 and blocks flow from 1 to 2.

SPECIFICATIONS

Theoretical performance



Schematic



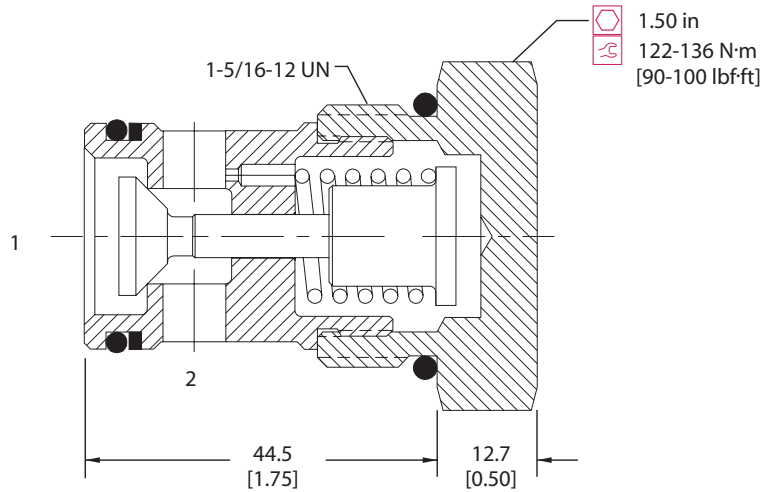
Specifications

Rated pressure	350 bar 5075 psi
Rated flow at 7 bar	150 l/min
100 psi	40 US gal/min
Leakage	6 drops/min @ 207 bar 3000 psi
Weight	0.26 kg 0.57 lb
Cavity	SDC16-2

DIMENSIONS

mm in

Cross-sectional view



ORDERING INFORMATION

CP102-2-B-16S-005

Housing and ports

- 0 = No Housing
- HG-6B = Al, 3/4 BSP
- HG-8B = Al, 1 BSP
- 12S = Al, #12 SAE
- 16S = Al, #16 SAE
- Other housings available

Housing P/N

- No Housing
- SDC16-2-HG-6B
- SDC16-2-HG-8B
- CP16-2-12S
- CP16-2-16S

Crack pressure

- 005 = 0.34 bar [5 psi]
- 015 = 1.0 bar [15 psi]
- 030 = 2.1 bar [30 psi]
- 050 = 3.4 bar [50 psi]
- 065 = 4.5 bar [65 psi]
- 100 = 6.9 bar [100 psi]

Seals

- B = Buna-N 120019
- V = Viton 120020