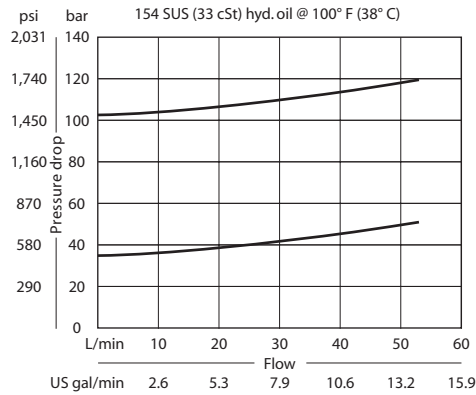


OPERATION

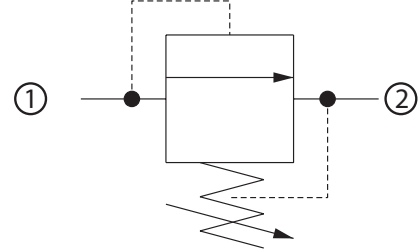
This is a direct acting spool-type relief valve that relieves from 1 to 2.

SPECIFICATIONS

Theoretical performance



Schematic



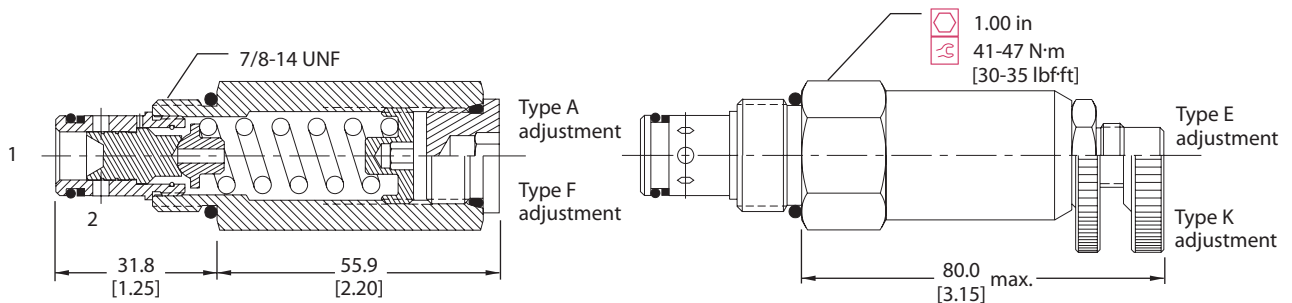
Specifications

Rated pressure	210 bar [3000 psi]
Rated flow	45 l/min [12 US gal/min]
Leakage	82 cm ³ /min [5 in ³ /min] @ 80% of pressure setting
Weight	0.22 kg [0.48 lb]
Cavity	SDC10-2

DIMENSIONS

mm [in]

Cross-sectional view



ORDERING INFORMATION

CP210 - 1 - B - 6S - A - C - 075

Seals
 B = Buna-N
 V = Viton

Seal kit
 120015
 120016

Housing and ports
 0 = No Housing
 DG3B = Al, 3/8 BSP
 DG4B = Al, 1/2 BSP
 6S = Al, #6 SAE
 8S = Al, #8 SAE
 Other housings available

Housing P/N
 No Housing
 SDC10-2-DG-3B
 SDC10-2-DG-4B
 CP10-2-6S
 CP10-2-8S

Adjustment option
 A = Internal
 E = External
 F = Tamper resistant
 K = Knob

Crack pressure
 Code x 10 = psi
 Example: 075 = 750 psi

Pressure range

	bar	[psi]
A = Standard	3.4-28	[50-400]
B = Standard	17	[250]
B = Standard	5.5-55	[80-800]
C = Standard	28	[400]
C = Standard	6.9-97	[100-1400]
D = Standard	52	[750]
D = Standard	34-166	[500-2400]
D = Standard	103	[1500]