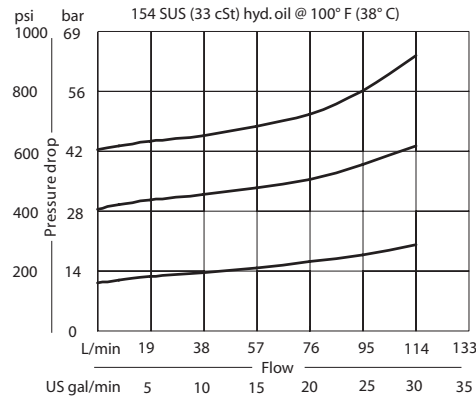


OPERATION

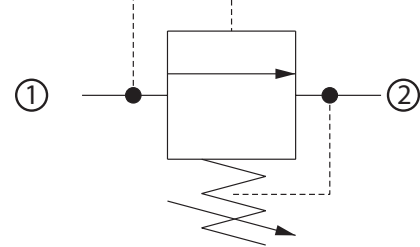
This is a direct acting spool-type relief valve that relieves from 1 to 2.

SPECIFICATIONS

Theoretical performance



Schematic



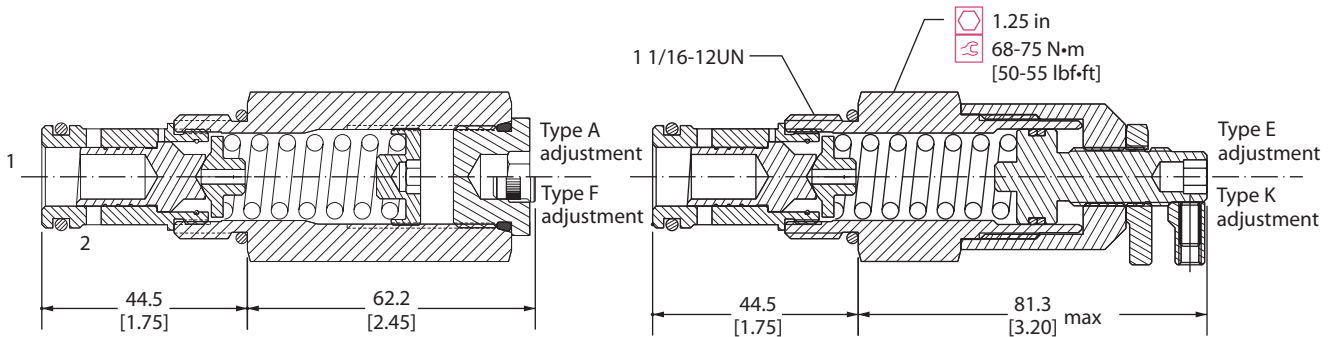
Specifications

Rated pressure	40 bar [600 psi]
Rated flow	75 l/min [20 US gal/min]
Leakage	82 cm ³ /min [5 in ³ /min] @ 80% of pressure setting
Weight	0.41 kg [0.90 lb]
Cavity	CP12-2

DIMENSIONS

mm [in]

Cross-sectional view



ORDERING INFORMATION

CP211-1-B-10S-A-C-040

