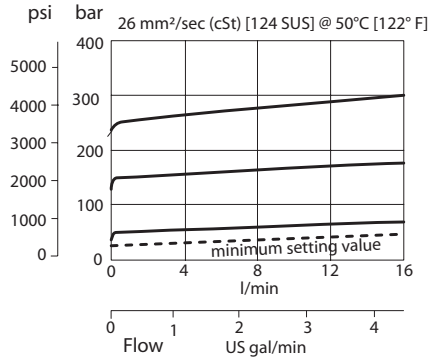


OPERATION

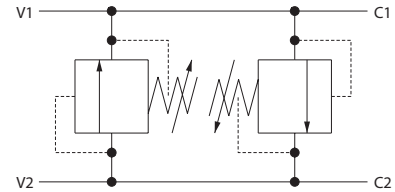
This valve is an inline cross relief. It uses two VME 06 direct-acting relief valves.

SPECIFICATIONS

Theoretical performance



Schematic



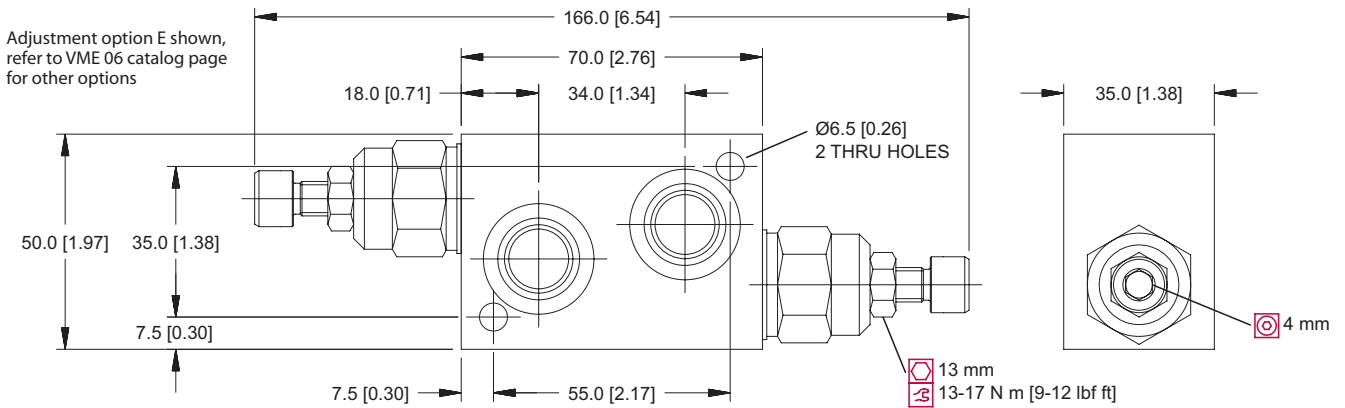
Specifications

Rated pressure	210 bar [3045 psi]
Rated flow	40 l/min [11 US gal/min]
Weight	1.11 kg [2.45 lb]
Cavity	none

DIMENSIONS

mm [in]

Cross-sectional view



ORDERING INFORMATION

VA-E 06 - EN - 2 - LG - V - XXX

Adjustment option

- EN = External screw
- M = Handwheel

Setting range

- 1 = 25 - 70 bar [360 - 1000 psi]
- 2 = 35 - 170 bar [510 - 2500 psi]
- 3 = 70 - 315 bar [1000 - 4500 psi]

Seals

- V = Viton
- Omit = Buna-N

Seal kit

- Consult factory
- Consult factory

Housing and ports

- LG = AL, 3/8 BSP

To order this valve with a specific factory setting, contact your Comatrol representative