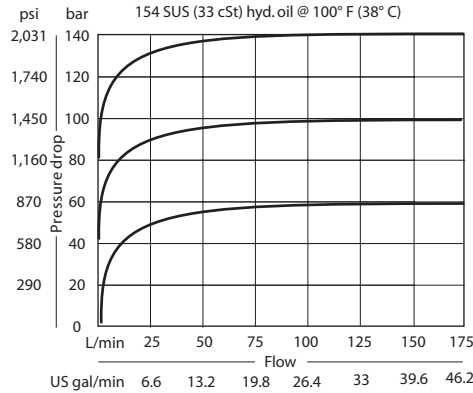


OPERATION

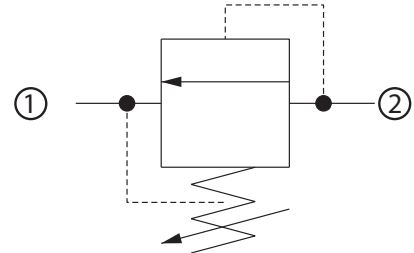
This is a direct acting differential area poppet type relief valve that relieves from 2 to 1.

SPECIFICATIONS

Theoretical performance



Schematic



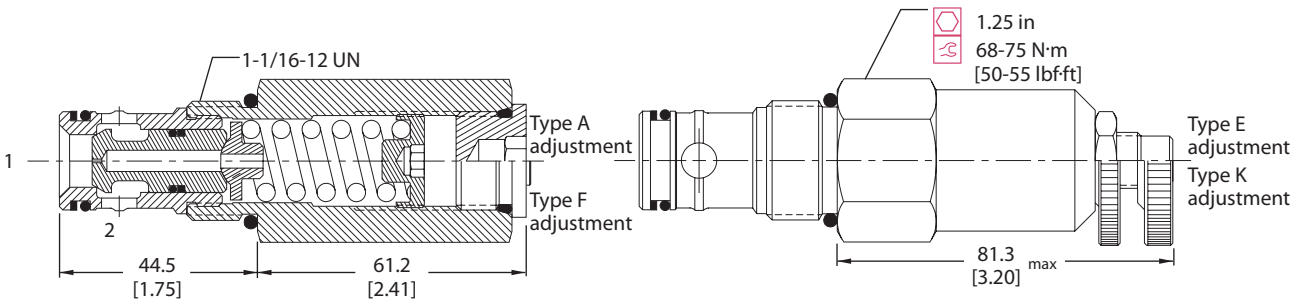
Specifications

Rated pressure	250 bar [3600 psi]
Rated flow	150 l/min [40 US gal/min]
Leakage	10 drops/min @ 80% of pressure setting
Weight	0.42 kg [0.92 lb]
Cavity	CP12-2

DIMENSIONS

mm [in]

Cross-sectional view



ORDERING INFORMATION

CP201 - 1 - B - 12S - A - C - 150

Seals
 B = Buna-N
 V = Viton

Seal kit
 120017
 120018

Housing and ports
 0 = No Housing
 4B = AI, 1/2 BSP
 6B = AI, 3/4 BSP
 10S = AI, #10 SAE
 12S = AI, #12 SAE
 Other housings available

Housing P/N
 No Housing
 CP12-2-4B
 CP12-2-6B
 CP12-2-10S
 CP12-2-12S

Adjustment option
 A = Internal
 E = External
 F = Tamper resistant
 K = Knob

Crack pressure
 Code x 10 = psi
 Example: 150 = 1500 psi

Pressure range

	bar	[psi]
A	7-69	[100-1000]
Standard	28	[400]
B	17-172	[250-2500]
Standard	69	[1000]
C	35-248	[500-3600]
Standard	103	[1500]