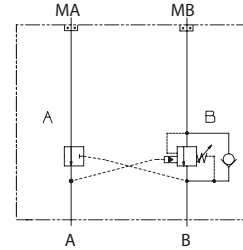


OPERATION

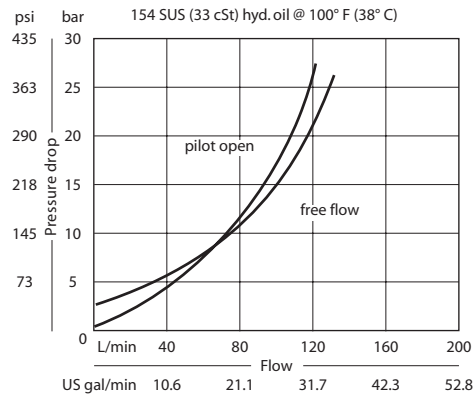
This is a single counterbalance HIC (on B port) that mounts to OMS motors with BSP porting.

Schematic



SPECIFICATIONS

Theoretical performance



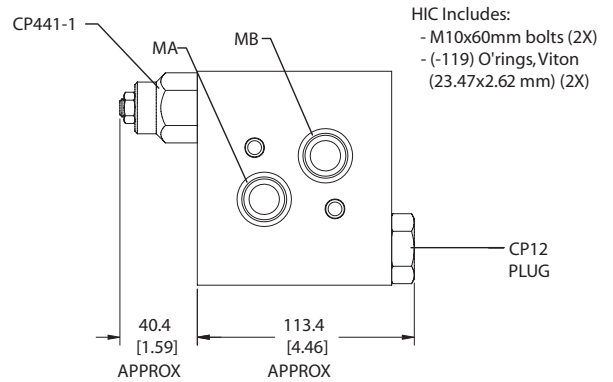
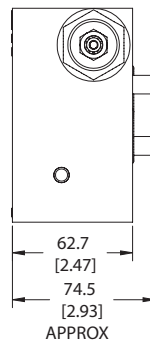
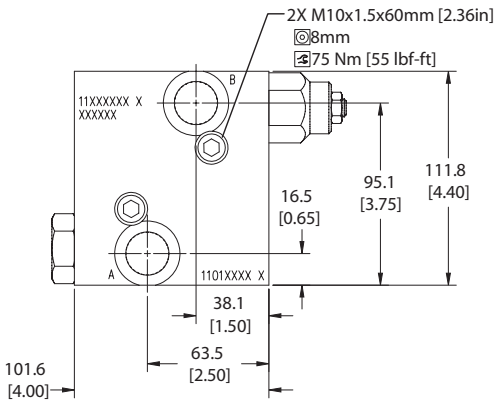
Specifications

Rated pressure	210 bar [3045 psi]
Rated flow at 22 bar [319 psi]	115 l/min [30 US gal/min]
Leakage	10 drops/min @ 70% of crack pressure
Weight	2.13 kg [4.70 lb]
Pilot ratio	3.0:1, 4.5:1, 10.0:1
Cartridge	CP441-1
Plug	CP12-V-3S-B1
Service mount kit	11023867
Motor	OMS

DIMENSIONS

Cross-sectional view

mm [in]



ORDERING INFORMATION

MM-OMS-00-BCP441-1-B-10S-E-A-250-10.0-015

