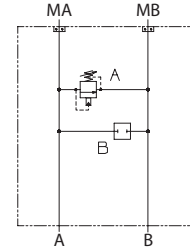


OPERATION

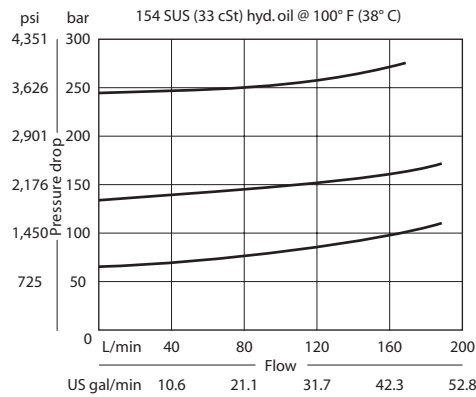
This is a single cross-port relief (A to B) HIC that mounts to OMH motors with BSP porting.

Schematic



SPECIFICATIONS

Theoretical performance



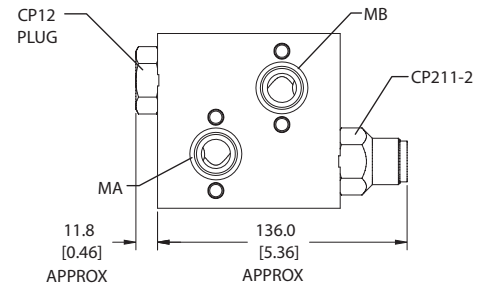
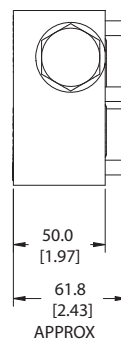
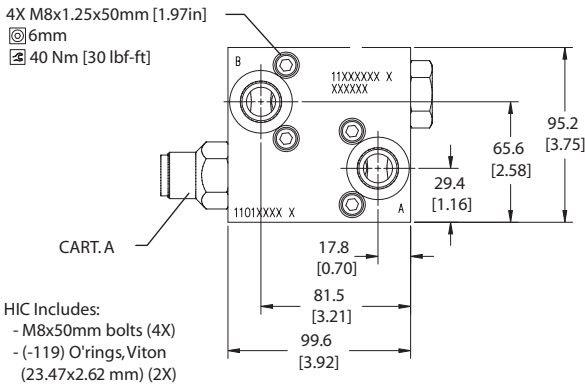
Specifications

Rated pressure	210 bar [3045 psi]
Rated flow at 7 bar [102 psi]	190 l/min [50 US gal/min]
Leakage	82 cm ³ /min [5 in ³ /min] @ 207 bar [3000 psi]
Weight	1.42 kg [3.13 lb]
Cartridge	CP211-2
Plug	CP12-V-2-B
Service mount kit	11023162
Motor	OMH

DIMENSIONS

Cross-sectional view

mm [in]



ORDERING INFORMATION

MM-OMH-00-ACP211-2-B-10S-E-C-254

