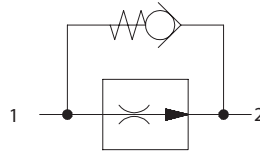


OPERATION

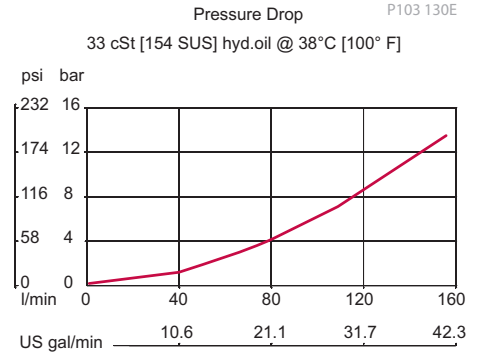
This is an in-line restrictive type flow control valve with free reverse flow.

SPECIFICATIONS

Schematic

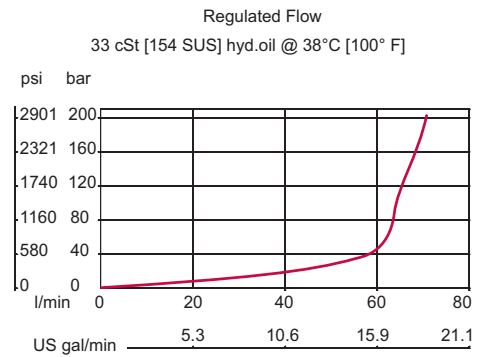


Theoretical performance



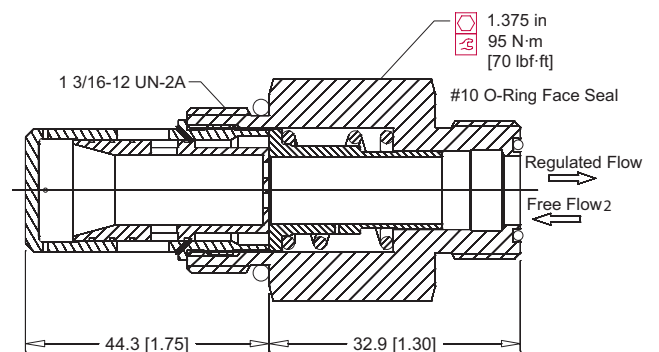
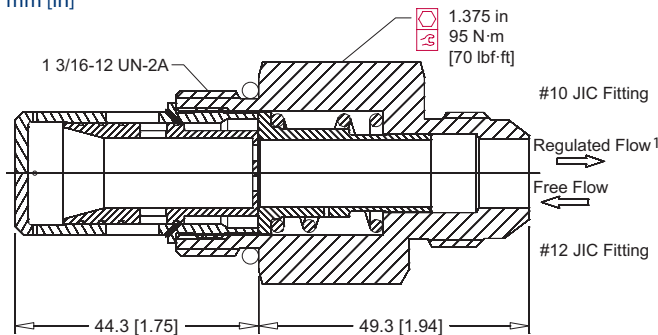
Specifications

Pressure rating	207 bar [3000 psi]
Rated Free Flow at 7 bar [100 psi]	113 l/min [30 US gal/min]
Max regulated flow	106 l/min [28 US gal/min]
Cavity	Modified SAE #14 port



DIMENSIONS

mm [in]



ORDERING INFORMATION

CP9014-1-B-10-24

Seals	Seal kit	Flow Setting
B = Buna-N	720025	l/min USgal/min
V = Viton	720363	18 = 68.1 18
		24 = 90.8 24
		28 = 106.0 28
		Consult factory for complete list of flows.
		Connection (Port2)
		10 = #10SAE37° JIC Fitting 7/8-14UNC-2A
		12 = #12SAE37° JIC Fitting 11/16-12UN-2A
		FS10 = #10SAEO-Ring Face Seal 17/16-12UN-2A