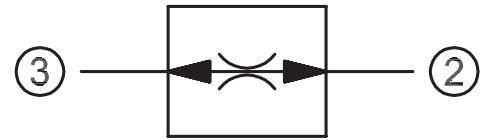


OPERATION

This valve is a fixed setting, pressure compensated, bi-directional flow control valve. NOTE: Port 1 must be blocked for proper operation.

Schematic

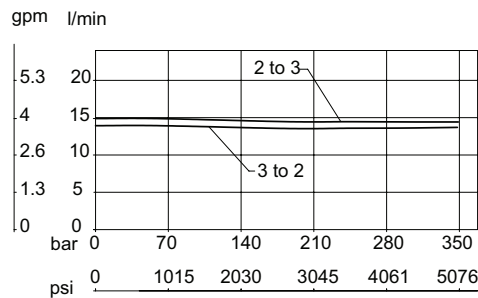


SPECIFICATIONS

Theoretical performance

Performance

33 cSt [154 SUS] hyd.oil @ 38°C [100° F]



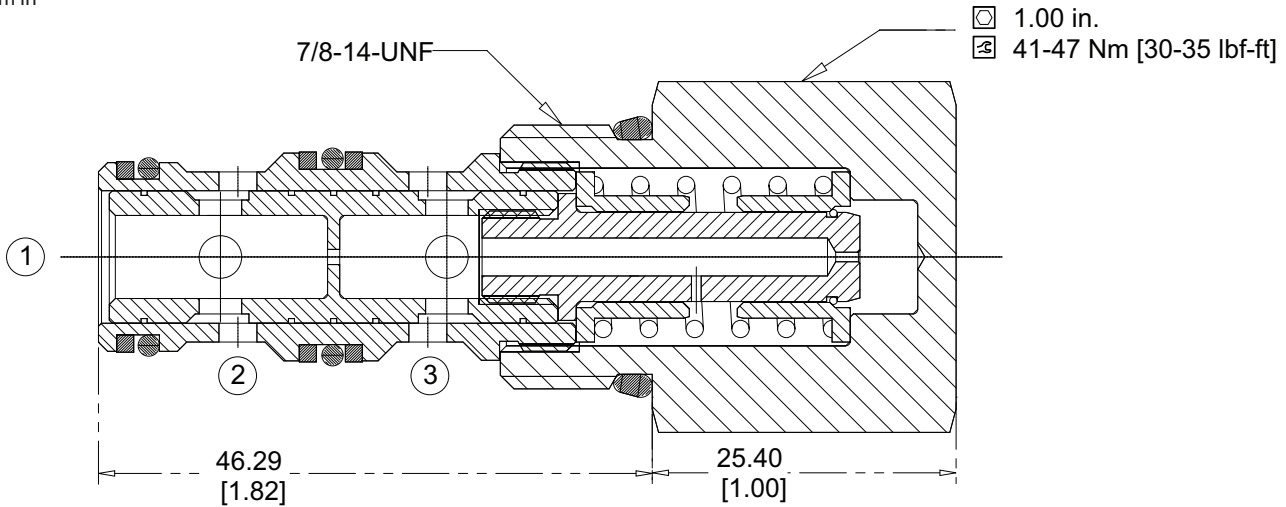
Specifications

Rated pressure	350 bar [5075 psi]
Max regulated flow	23 l/min [6 US gal/min]
Weight	0.14 kg [0.34 lb]
Accuracy ± 20%	0.4-2.2 l/min [0.1-0.6 US gal/min]
± 15%	2.3-22.7 l/min [0.6-6.0 US gal/min]
Cavity	SDC10-3

DIMENSIONS

mm in

Cross-sectional view



ORDERING INFORMATION

FCH10-BD-3.8-U-00

Regulated Flow
 0.4 = 0.4 lpm [0.1 gpm]
 to
 22.7 = 22.7 lpm [6.0 gpm]

Housing and ports
 00 = No Housing
 DG-3B = Al, 3/8 BSP
 DG-4B = Al, 1/2 BSP
 6S = Al, #6 SAE
 8S = Al, #8 SAE

Housing Part #
 No Housing
 SDC10-3-DG-3B
 SDC10-3-DG-4B
 CP10-3-6S
 CP10-3-8S

Seals
 U = Urethane

Seal Kit
 120726