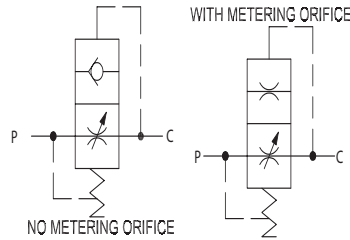


**OPERATION**

This is an in-line flow limiter that closes and then provides non-compensated restricted flow when the specified flow setting is exceeded. The valve provides free reverse flow when operated in the opposite direction.

**SPECIFICATIONS**

Schematic

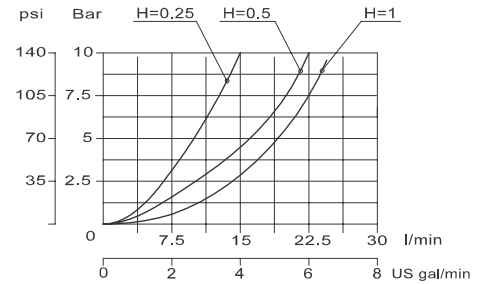


**Specifications**

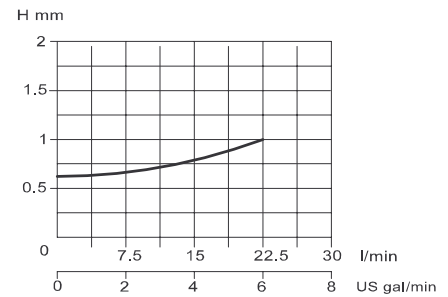
<b>Pressure rating</b>	210 bar 3000 psi
<b>Rated Free Flow at 7 bar 100 psi</b>	30 l/min 8 US gal/min
<b>Cavity</b>	Consult factory

**Theoretical performance**

Pressure drop from P ⇒ C according to Adjustment H  
 26 cSt [121 SUS] hyd.oil at 50°C [122 °F]



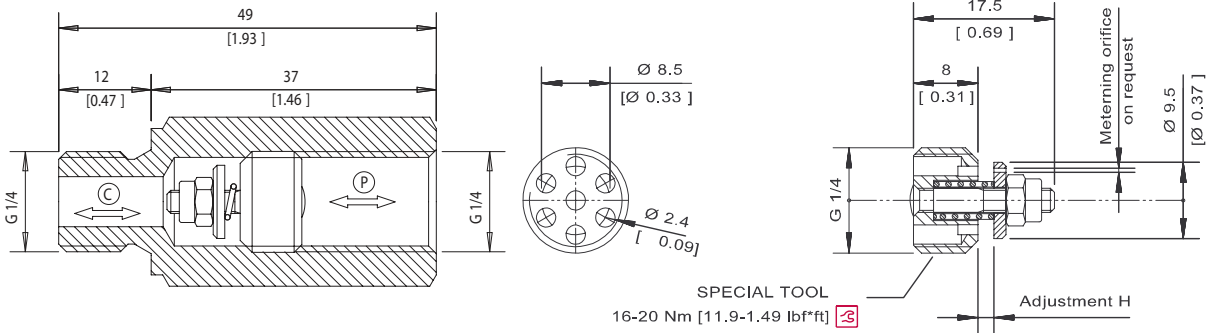
Values for adjustment H are guideline only, being conditioned by a variety of factors (oil temperature and viscosity, volume and flexibility of circuits).



FC - Flow Control Valves  
BC 06

**DIMENSIONS**

mm [in]



**ORDERING INFORMATION**

**BC 06 - 1.0 - G - 00 - S1.5**

Adjustment H

Metering orifice

- 00 = No factory adjustment
- 0.25 = 0.25 mm [in]
- 0.5 = 0.5 mm [in]
- 1.0 = 1.0 mm [in]
- 1.5 = 1.5 mm [in]
- 2.0 = 2.0 mm [in]

- Omit = No orifice
- S0.5 = 0.5 mm [in]
- S0.7 = 0.7 mm [in]
- S1.0 = 1.0 mm [in]
- S1.5 = 1.5 mm [in]
- S2.0 = 2.0 mm [in]

- 00 = Cartridge only
- L = 1/4 BSP