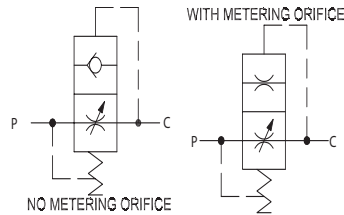


OPERATION

This is an in-line flow limiter that closes and then provides non-compensated restricted flow when the specified flow setting is exceeded. The valve provides free reverse flow when operated in the opposite direction.

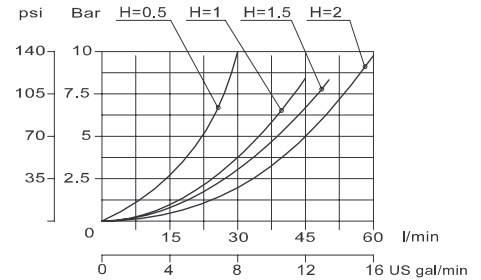
SPECIFICATIONS

Schematic



Theoretical performance

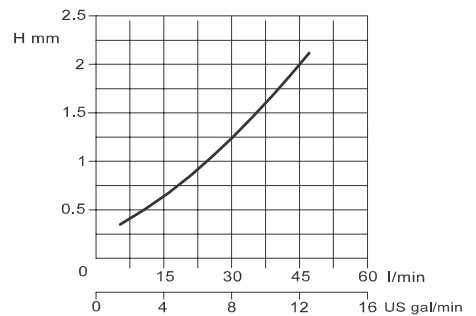
Pressure drop from P to C according to Adjustment H
 26 cSt [121 SUS] hyd.oil at 50°C [122 °F]



Specifications

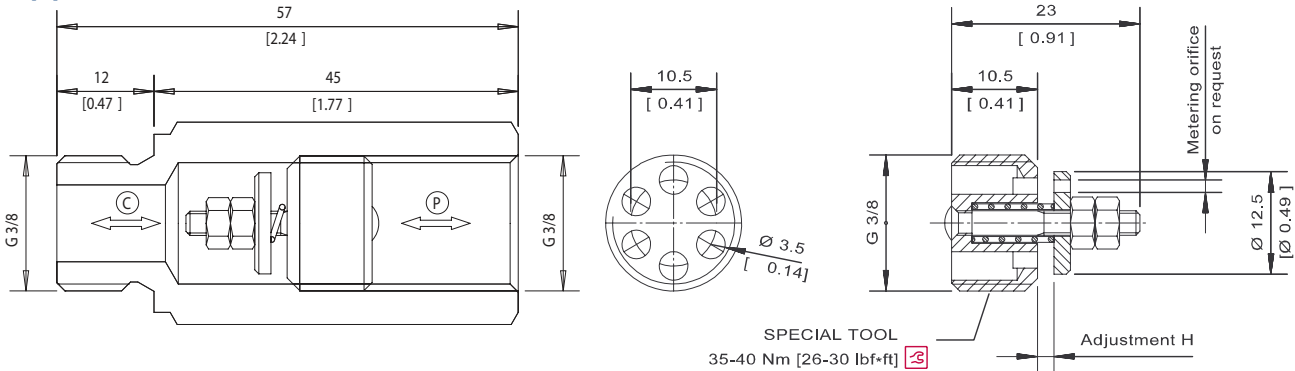
Pressure rating	210 bar 3000 psi
Rated Free Flow at 7 bar 100 psi	60 l/min 16 US gal/min
Cavity	Consult factory

Values for adjustment H are guideline only, being conditioned by a variety of factors (oil temperature and viscosity, volume and flexibility of circuits).



DIMENSIONS

mm [in]



SPECIAL TOOL
 35-40 Nm [26-30 lbf·ft]

ORDERING INFORMATION

BC 10 - 1.0 - G - 00 - S1.5

- Adjustment H**
- 00 = No factory adjustment
 - 0.25 = 0.25 mm [in]
 - 0.5 = 0.5 mm [in]
 - 1.0 = 1.0 mm [in]
 - 1.5 = 1.5 mm [in]
 - 2.0 = 2.0 mm [in]

- Metering orifice**
- Omit = No orifice
 - S0.5 = 0.5 mm [in]
 - S0.7 = 0.7 mm [in]
 - S1.0 = 1.0 mm [in]
 - S1.5 = 1.5 mm [in]
 - S2.0 = 2.0 mm [in]

- Coupling**
- 00 = Cartridge only
 - L = 3/8 BSP