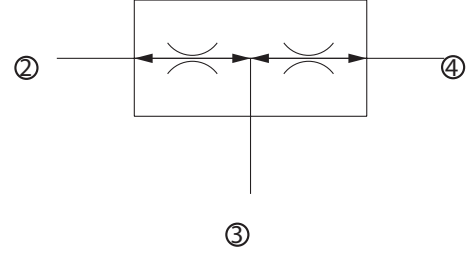


**OPERATION**

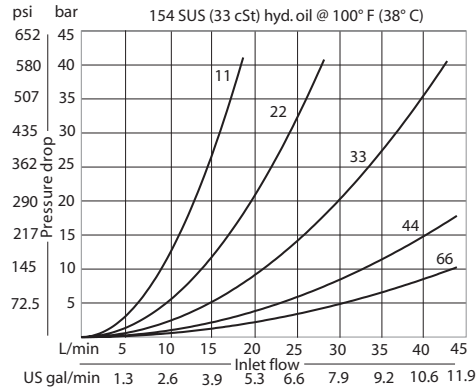
This valve is a fixed ratio, pressure compensated flow divider/combiner.

**Schematic**



**SPECIFICATIONS**

**Theoretical performance**

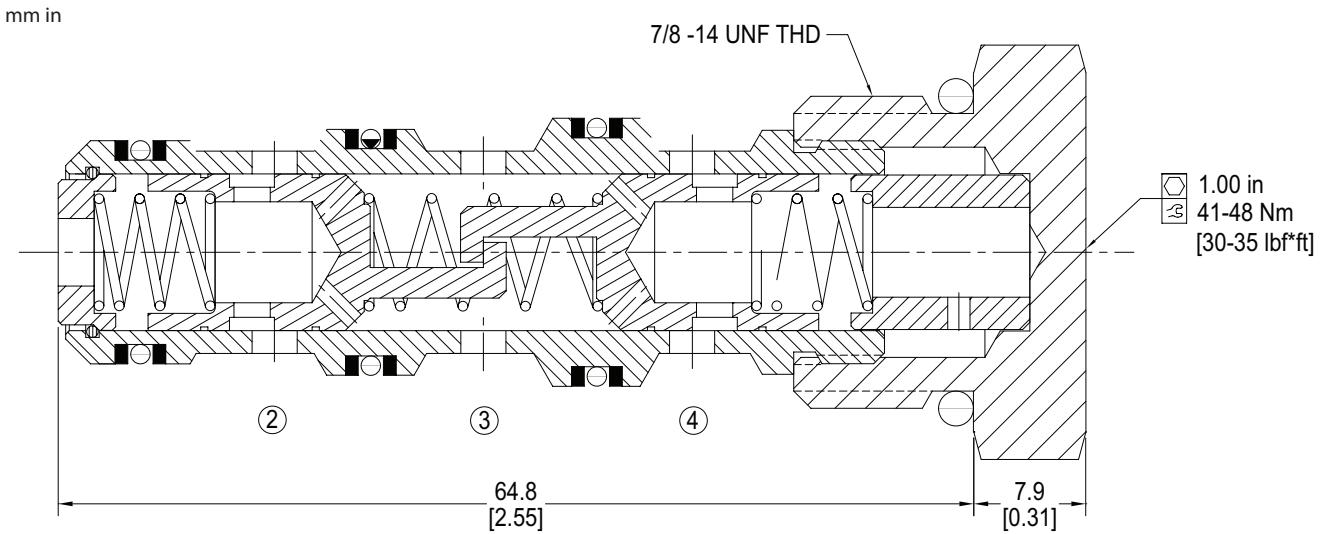


**Specifications**

<b>Rated pressure</b>	210 bar [3000 psi]
<b>Rated flow</b>	45 l/min
<b>[See Performance Chart]</b>	[12 US gal/min]
<b>Weight</b>	0.11 kg [0.24 lb]
<b>Cavity</b>	SDC10-4

**DIMENSIONS**

**Cross-sectional view**



**ORDERING INFORMATION**

**CP340-1 - B - 6S - 44**

**Seal Option**

Code	Seal Material	Seal kit
<b>B</b>	Buna	120023
<b>V</b>	Viton	120024

Housings & Ports	Housing P/N
<b>0:</b> Cartridge Only	No Housing
<b>3B:</b> 3/8 BSP, AL	CP10-4-2B-X1
<b>4B:</b> 1/2 BSP, AL	CP10-4-3B-X1
<b>6S:</b> #6 SAE, AL	CP10-4-6S-X1
<b>8S:</b> #8 SAE, AL	CP10-4-8S-X1

Other Housings available

**Flow Settings**

Code	Flow Ratio		Total Flow
	Port 2:	Port 4	
11	1:1		7.6 L/min [2 gpm]
22	1:1		15 L/min [4 gpm]
33	1:1		23 L/min [6 gpm]
36	1:2		34 L/min [9 gpm]
44	1:1		30 L/min [8 gpm]
46	2:3		38 L/min [10 gpm]
63	2:1		34 L/min [9 gpm]
64	3:2		38 L/min [10 gpm]
66	1:1		45 L/min [12 gpm]