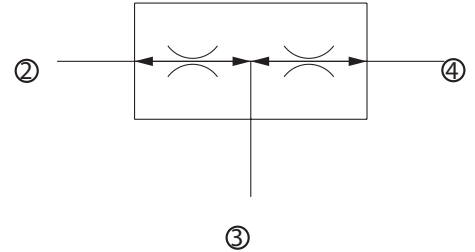


OPERATION

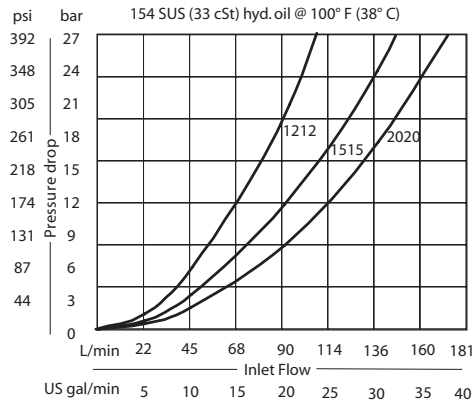
This valve is a fixed ratio, pressure compensated flow divider/combiner.

Schematic



SPECIFICATIONS

Theoretical performance

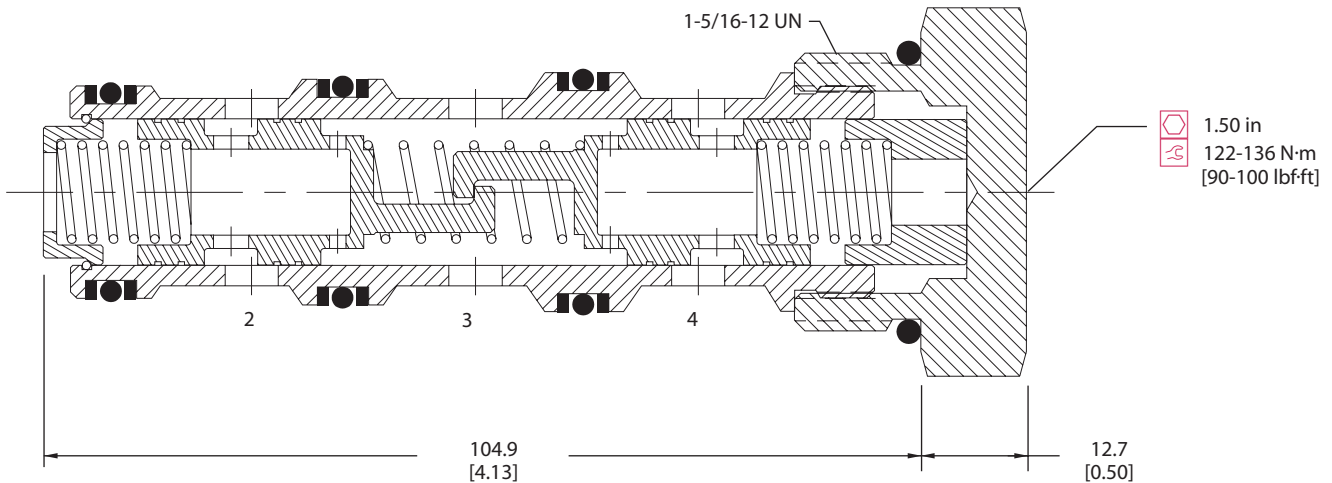


Specifications

Rated pressure	210 bar 3000 psi
Rated flow	150 l/min 40 US gal/min
100 psi	
Weight	0.37 kg 0.81 lb
Cavity	CP16-4

DIMENSIONS

Cross-sectional view



ORDERING INFORMATION

CP342 - 1 - B - 16S - 1515

Seals	Seal kit	Flow settings	Total flow
B = Buna-N	120025	Code	
V = Viton	120026	Flow ratio	
		Port 2:Port 4	
Housing and ports	Housing P/N	1020	1:2 30 gpm [114 L/min]
0 = No Housing	No Housing	1212	1:1 24 gpm [91 L/min]
6B = Al, 3/4 BSP	CP16-4-6B-X1	1215	4:5 27 gpm [102 L/min]
8B = Al, 1 BSP	CP16-4-8B-X1	1220	3:5 32 gpm [121 L/min]
12S = Al, #12 SAE	CP16-4-12S-X1	1512	5:4 27 gpm [102 L/min]
16S = Al, #16 SAE	CP16-4-16S-X1	1515	1:1 30 gpm [114 L/min]
Other housings available		1520	3:4 35 gpm [132 L/min]
		2012	5:3 32 gpm [121 L/min]
		2015	4:3 35 gpm [132 L/min]
		2020	1:1 40 gpm [151 L/min]