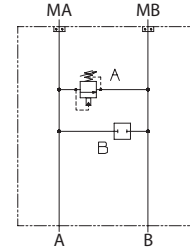


OPERATION

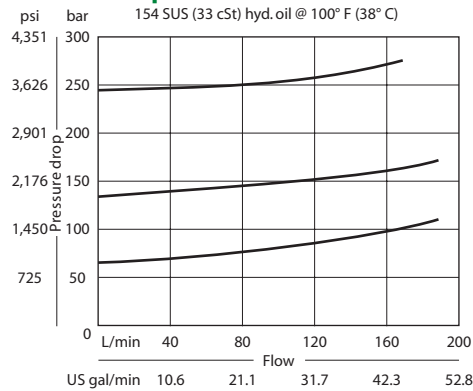
This is a single cross-port relief (A to B) HIC that mounts to OMT motors with BSP porting.

Schematic



SPECIFICATIONS

Theoretical performance



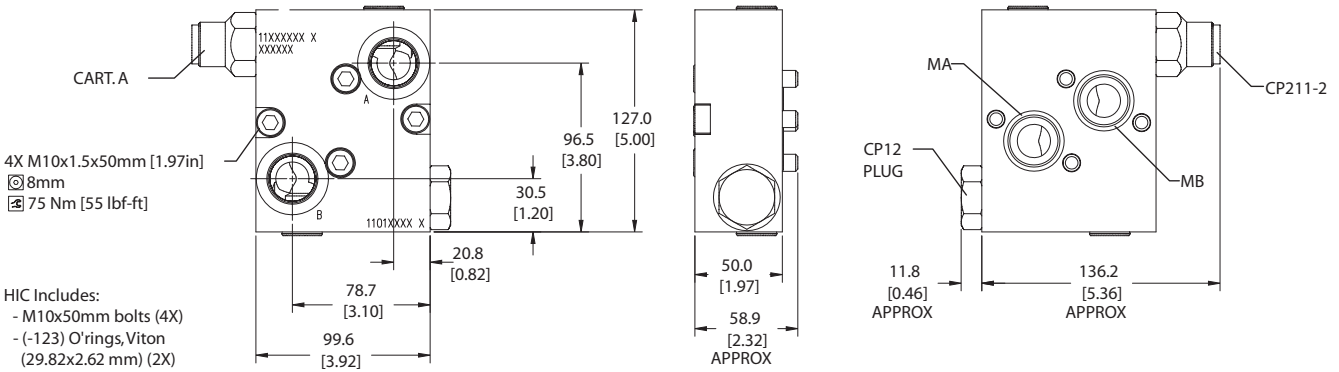
Specifications

| | |
|-------------------------------|---|
| Rated pressure | 210 bar [3045 psi] |
| Rated flow at 7 bar [102 psi] | 190 l/min [50 US gal/min] |
| Leakage | 82 cm ³ /min [5 in ³ /min] @ 207 bar [3000 psi] |
| Weight | 1.85 kg [4.08 lb] |
| Cartridge | CP211-2 |
| Plug | CP12-V-2-B |
| Service mount kit | 11023870 |
| Motor | OMT |

DIMENSIONS

Cross-sectional view

mm [in]



ORDERING INFORMATION

