

OPERATION

This is a normally-closed, pilot-operated, poppet-type 10-size solenoid valve with free reverse flow. When de-energized, the valve acts as a check valve, allowing flow from port 1 to port 2, and blocking flow from port 2 to port 1. When energized, the valve's poppet is shifted and allows flow from port 2 to port 1, and from 2 to 1.

APPLICATIONS

This valve is designed for low leakage applications and can be used in a circuit with a single acting cylinder to control motion, provide load holding or as a general purpose diverter or dump valve.



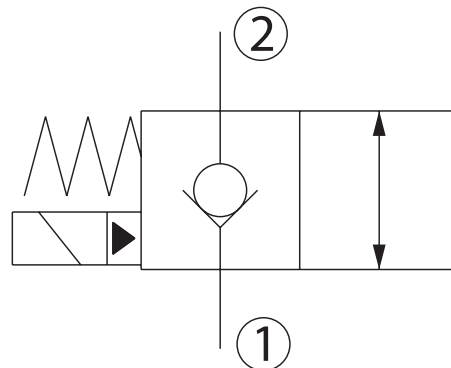
Shown with Standard H16 Coil, Deutsch Connector

SPECIFICATIONS

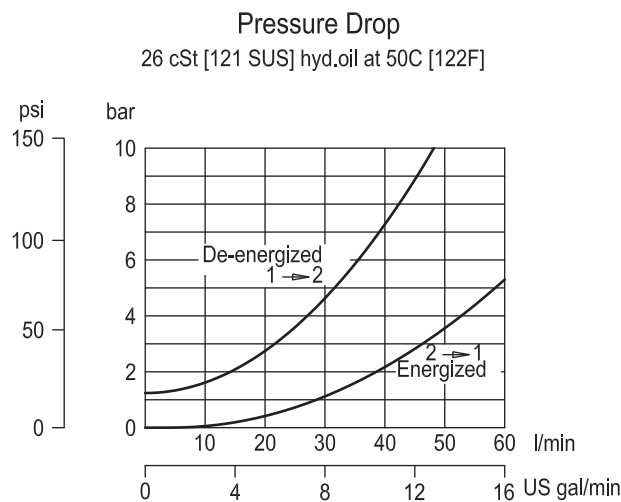
Rated pressure*	350 bar [5075 psi]*
Rated flow at 7 bar [100 psi]	65 l/min [17 US gal/min]
Leakage	6 drops/min @ Rated pressure
Weight	0.43 kg [0.95 lb]
Cavity	SDC10-2
Standard Coil	H16 29Watt

* Rated Pressure based on NFPA fatigue test standards (at 1 Million Cycles).

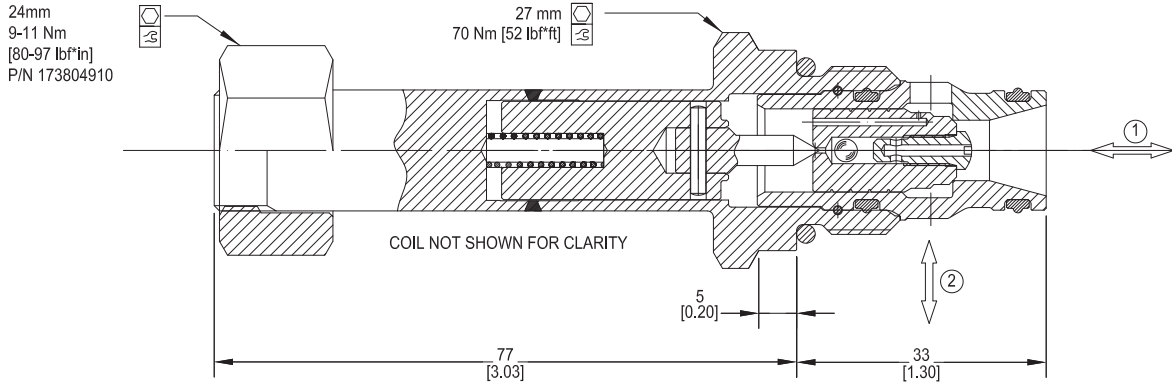
SCHEMATIC



PERFORMANCE CURVES

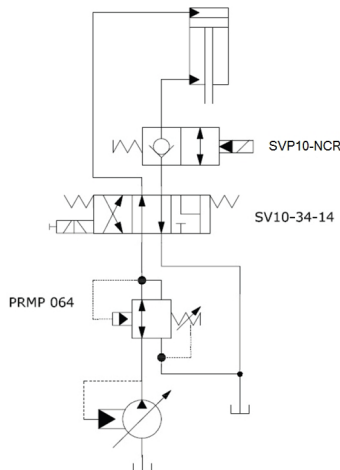


DIMENSIONS

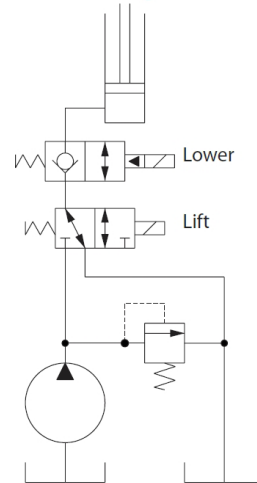


EXAMPLE CIRCUITS

Height Control with Float Option



Lift, hold, & lower single acting cylinder



P103 102E

ORDERING INFORMATION

HSVP10 - NCR - H12D - DE - PN - P - 00

High Pressure Solenoid Valve
 Normally-Closed, Pilot Operated,
 10 Size, Poppet Type
 with Reverse Free Flow

Coil Voltage

Code	Description
00	No Coil
H12D	12 VDC
H24D	24 VDC

Coil Termination

Code	Description	IP Rating
00	No Coil	-
FL	Flying Lead	IP69K
DE	Deutsch	IP69K
AS	AMP Super Seal 1.5 & Metri Pack 150 type 1	IP69K
ASDB	AMP Super Seal with Diode Bidirectional	IP69K
DEDB	Deutsch with Diode Bidirectional	IP69K
FLDB	Flying Lead with Diode Bidirectional	IP69K

Bodies

Code	Ports & Material	Body Nomenclature
00	Cartridge Only	No Body
S3B	3/8 BSP, Ductile	SDC10-2-S3B
S4B	1/2 BSP, Ductile	SDC10-2-S4B
S6S	#6 SAE, Ductile	SDC10-2-S6S
S8S	#8 SAE, Ductile	SDC10-2-S8S

*** Aluminum Bodies available for lower pressure applications. Please consult factory for details.

Seal Option

Code	Seal Material	Seal Kit
P	Polyurethane Single Seal	11132135
V	Viton	354000819

Manual Overrides

Code	Description
XC	No Manual Override