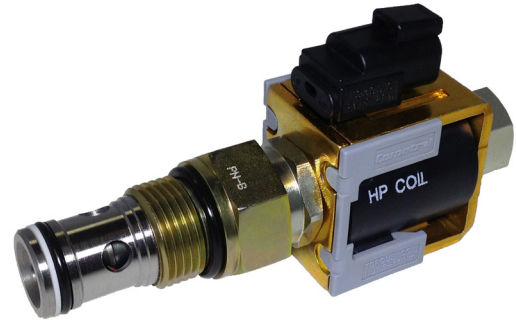


**OPERATION**

This is a normally-open, pilot-operated, poppet-type 12-size solenoid valve with free reverse flow. When de-energized the valve allows flow from port 1 to 2 and from port 2 to 1. When energized, the pilot poppet closes allowing the valve to act as a check valve flowing from port 1 to port 2, while blocking flow from port 2 to 1. This valve comes standard with a push pin type manual override.



Shown with Standard H16 Coil, Deutsch Connector

**APPLICATIONS**

This is a low leakage valve designed for use in load holding applications or as a general purpose diverter or dump valve.

This solenoid valve is a technical replacement for CP501-4.

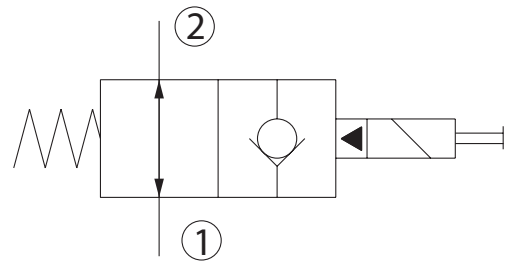
SV - Solenoid Valves  
 HSVP12-NOR

**SPECIFICATIONS**

Rated pressure*	350 bar [5075 psi]*
Rated flow at 7 bar [100 psi]	114 l/min [30 US gal/min]
Leakage	6 drops/min @ Rated pressure
Weight	0.67 kg [1.47 lb]
Cavity	CP12-2
Standard Coil	H16 29 Watt

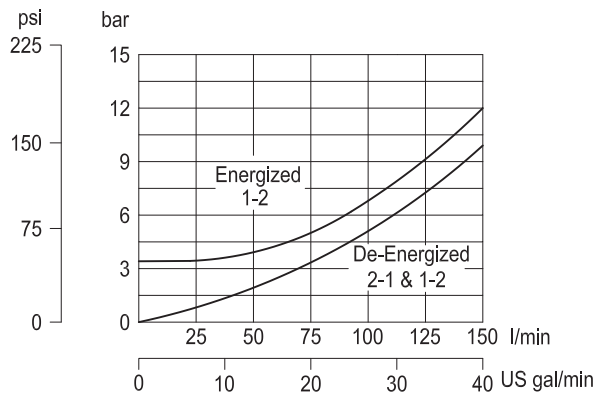
\* Rated Pressure based on NFPA fatigue test standards (at 1 Million Cycles).

**SCHEMATIC**

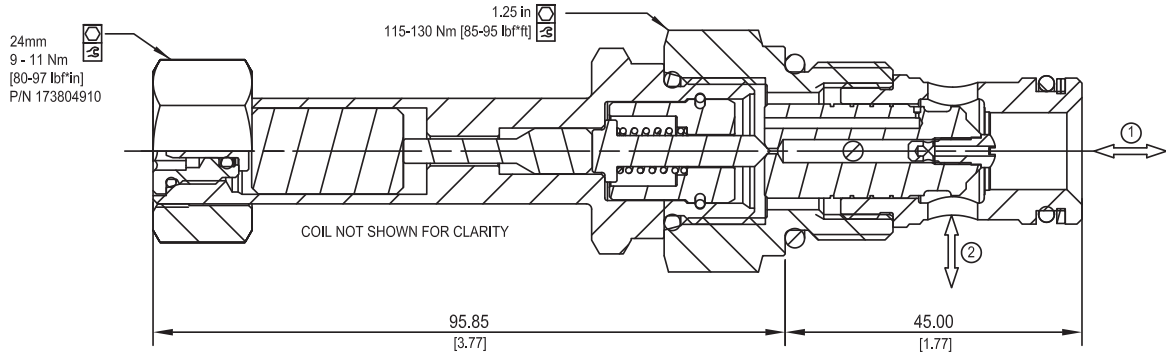


**PERFORMANCE CURVES**

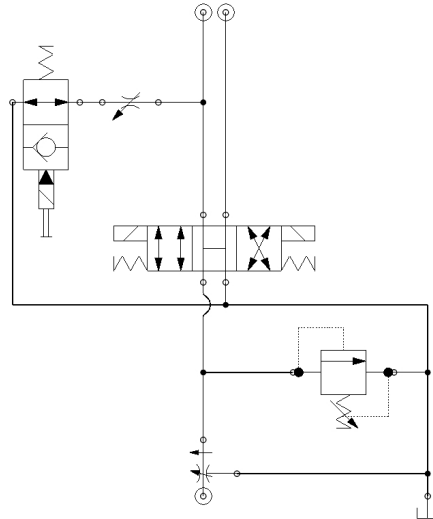
Pressure drop  
 26 cSt [121 SUS] hyd.oil at 50C [122F]



**DIMENSIONS**



**EXAMPLE CIRCUITS**



**ORDERING INFORMATION**

High Pressure Solenoid Valve  
 Normally-Open, Pilot Operated,  
 Free Reverse Flow, 12 Size,  
 Poppet Type

**HSVP12 - NOR - H12D - DE - PN - B - 00**

Code	Description	IP Rating
00	No Coil	-
FL	Flying Lead	IP69K
DE	Deutsch	IP69K
AS	AMP Super Seal 1.5 & Metri Pack 150 type 1	IP69K
ASDB	AMP Super Seal with Diode Bidirectional	IP69K
DEDB	Deutsch with Diode Bidirectional	IP69K
FLDB	Flying Lead with Diode Bidirectional	IP69K

Code	Description
H00	No Coil
H12D	12 VDC
H24D	24 VDC

Code	Ports & Material	Body Nomenclature
00	Cartridge Only	No Body
10S	#10 SAE, AL	SDC12-2CP-10S
S10S	#10 SAE, DUCTILE	SDC12-2CP-S10S
12S	#12 SAE, AL	SDC12-2CP-12S
S12S	#12 SAE, DUCTILE	SDC12-2CP-S12S
4B	1/2 BSP, AL	SDC12-2CP-4B
S4B	1/2 BSP, DUCTILE	SDC12-2CP-S4B
6B	3/4 BSP, AL	SDC12-2CP-6B
S6B	3/4 BSP, DUCTILE	SDC12-2CP-S6B

**Bodies**

\*\*Aluminum bodies are to be used for lower pressures less than 210 bar (3,000 psi)

Code	Seal Material	Seal Kit
B	Buna	120017
V	Viton	120018

**Seal Option**

Code	Description
PN	Push Pin
OPS	Push Pin M/O Nut for Protection & Actuation
PAT	Push and Twist

**Manual Overrides**